



Adds Value to your Building...

Product Catalog





We Are Developing The Drain Culture

Sukar is a company with 100% Turkish capital producing Installation and Insulation Drains which has operated in Turkey since 1998.

With the novelties it has made since its foundation, Sukar has followed the vision of becoming a brand that changes, evolves drain culture and supplying world quality products to the market.

This is not limited to Turkey, and it has been a brand sought after around the globe with unique novelties and high quality, especially in shower drains compatible with insulation.

Supplying a product range over 200 types of drain and grate compatible with installation equipment and water insulation for each area requiring drainage from the roof to the ground in buildings and from garden to roads, Sukar is also the first choice for large projects in Turkey thanks to its certified quality.

Committing itself to the mission of supplying its products that combine local demands and international standards with contemporary design and highest cost-benefit advantage to house owners, architects, constructors and companies working in installation and insulation application, Sukar provides new horizons for removing obstacles to creating the venues you dream of.

The products we provide in this catalogue are, as our other products, are the products of long and strenuous R&D work and production techniques we have developed and are sold in 36 countries around the globe along with Turkey.

We believe that these products will bring the drain culture in Turkey to the next level.

We wish you a seamless experience with our products for many years to come...

Cemal Aslanođlu
General Manager

Contents

Contents	2
All Details of Water Insulation	4
Design- Function- Quality	5-6

Linear Shower Drains

Line 1 Linear Shower Drain	8-9-10-11
Line 2 Linear Shower Drain	12-13-14-15
Line 3 Linear Shower Drain	16-17
Line 3G Linear Shower Drain	18-19
Line 4 Linear Shower Drain	20-21-22-23
Line 4D Linear Shower Drain	24-25
Line 4E Linear Shower Drain	26
Line 4S Linear Shower Drain	27
Line 4P Linear Shower Drain	28
Line 6 Linear Shower Drain	29-30-31
Line 6E Linear Shower Drain	32
Line 6 Slim Linear Shower Drain	33
Line 7 Linear Shower Drain	34-35-36
Line 7D Linear Shower Drain	37-38
The Bottom Bodies Compatible	
Water Insulation For Line 7/7D	39-40-41

Drain Sets

Line 5 Drain Set	43-44-45-46
Twisty	47
Line 9 Drain Set	48-49-50-51-52
Line 10 Drain Set	53-54-55
Line 10 / 1 Drain Set	56-57
Line 11 Drain Set	58-59-60-61
Line 12 Drain Set	62-63-64-65
Line 13 Drain Set	66-67
Line 14 Drain Set	68-69-70
Line 15 Drain Set	71-72-73-74

Installation Drains

Side Outlet Installation Drains	76-77-78-79-80-81-82-83
Complete Stainless Drains	84-85
Bottom Outlet Installation Drains	86-87-88-89-90

Drains for Open Areas Garden

8x50 cm Modular Canal and Grates	92-93
13x50 cm Modular Canal and Grates	94
20x50 cm Modular Canal and Grates	95
Polypropylene Canals and Grates	97
Polymer Canals	98
Nodular Cast Iron Grates	99
Pig Casting Drains	100
Drains in Mud Tray	101
Flatfix - Ceramic Detecting Elements	102

Complementary Products

Stainless Steel Grates	104-105
Linear Shower Drain Grates	106-107
Anti-Odors and Upper Bodies	108-109
ABS Bottom Bodies	110-111-112-113-114-115

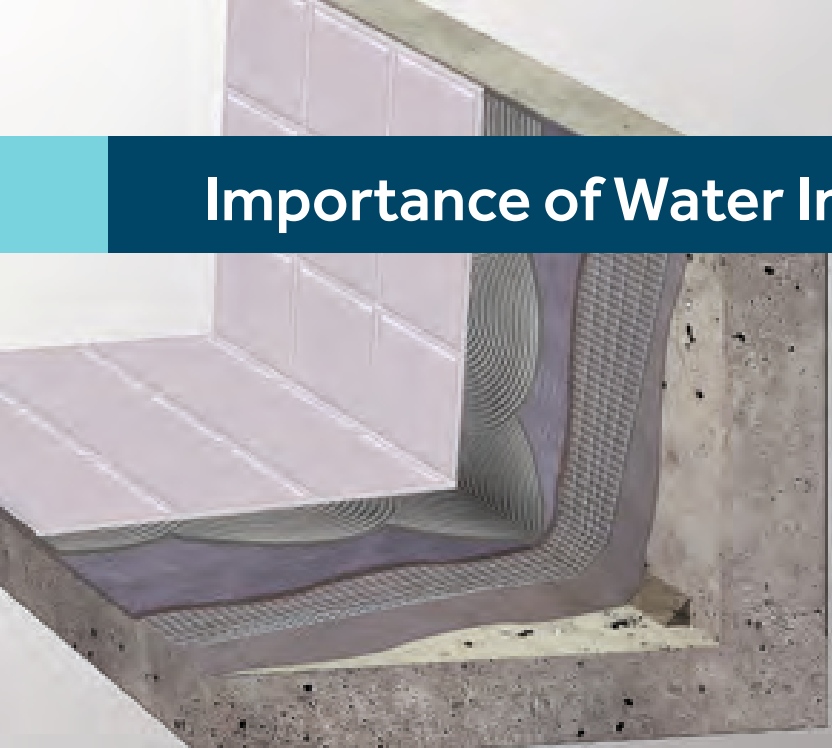
Bitumen Water Insulation Accessories

Roof Insulation Accessories	116
Corner Balcony Drains	117
Complementary Products	118
Textile Water Insulation Membrane	120-121
Manholes and Manhole Covers	122
Production Area	123
Molozkule (Debris Disposal System)	124-125
Stands	126
Our Vehicles	127
Quality Certificates	128-129

References	130-131-132-133-134
Notes	135-136-137-138



Importance of Water Insulation;



* WHY WATER INSULATION?

The process done in interior, exterior, roof and foundations of the buildings to prevent them from taking in water, for the purpose of keeping buildings comfortable and durable for a long time period are called "water insulation".

Water is among the highest risks that affect the life and durability of buildings. Waters that permeate buildings corrode the fittings in bodies and load bearing systems of the buildings and decreases load bearing capacity in the building. It also causes distortions in the main load bearing systems of the buildings thus causing cracks and breaks in the slightest earth activity or earthquake. Furthermore water permeation causes the malicious yeast, fungi, efflorescence, darkening and formation of other organic materials creating risks to the building and human health. The proverb "moist kills a wall as sorrow kills a man" is an age old one. However, since water insulation is not a legal obligation in a country on earthquake zone like ours, human life is seemingly not getting the attention and sensitivity it requires.

Rain, snow, dew, underground waters, utility water (water leaks in wet environment such as kitchen, bathroom, restroom) and underground water with or without pressure on the ground where the building is constructed expose buildings to water. Water thus permeating buildings removes comfort and threatens buildings.

IMPORTANCE OF DRAINS IN WATER INSULATION

Insulation of wet surfaces is essential to the insulation of buildings. However, until recently, wet surfaces were not insulated and even when insulated they still became water leak points since the drains were not suitable for insulation.

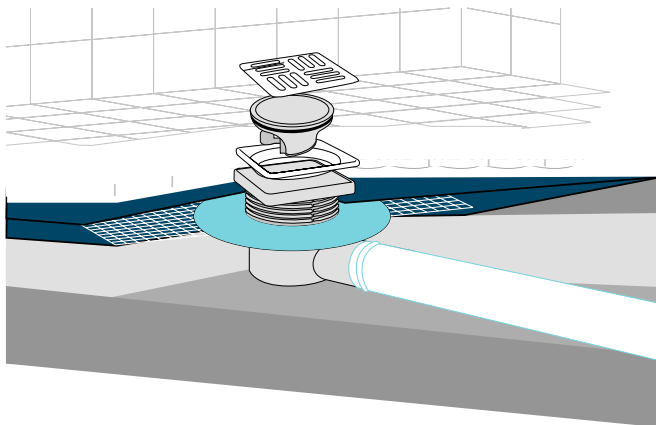
Thanks to the improvements in construction techniques and materials, water insulation applications in wet surfaces have become more common and started to become indispensable for today's construction.

Drains and shower canals suitable for liquid (plastered) and laid insulations developed by Sukar R&D have introduced a new drain culture to Turkey.

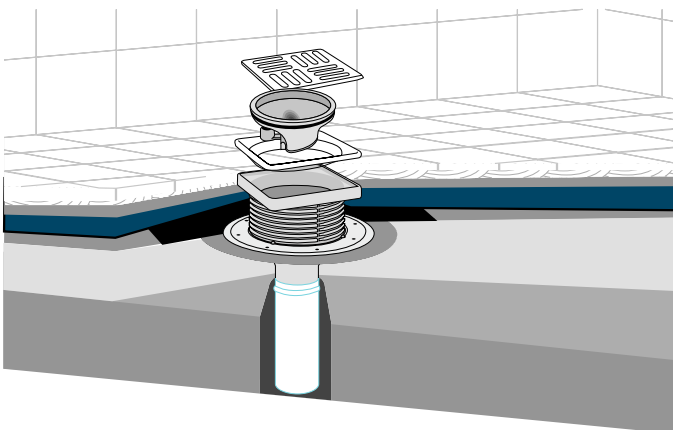
In wet surface insulation, liquid(plastered) or laid insulation materials are used. What is vital is that drains used integrate into the insulation products used. Only then a complete insulation can be mentioned.

* Source: SUDER (Water Insulators Association)

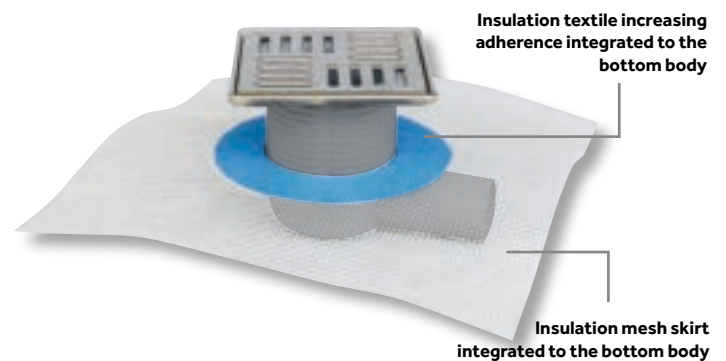
All Details of Water Insulation



Products with integrated insulation meshes or with elastomer skirted bottom bodies are designed for liquid (plastered) water insulation applications.



Thanks to all these properties of its design, Sukar provides perfect insulation all joints of drain and the floor covering. Bottom body design of Flanged system of Sukar enables product to fit all kinds of water insulation systems.



Bottom body suitable for liquid insulation

Along with the insulation mesh that fully adjoins liquid water insulation materials, insulations textiles integrated to the bottom body for the purpose of increasing adherence that does not have the risk of incoherence has been added with special techniques.



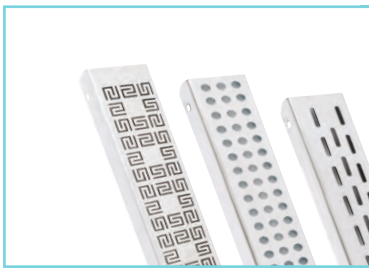
Flange system bottom body suitable for laid insulation.

The system can be fitted with insulation mesh or insulation textiles to suit liquid insulation materials as well as fitted with bitumen based, PVC or PP membranes to suit laid water insulation materials. This provides flexibility in insulation application options.

Design... Function... Quality...



Sukar observes easy installation, functionality and satisfaction, health and comfort of the end user for all products it has designed. Each detail serves these purposes.



304 Quality Stainless Steel Grates

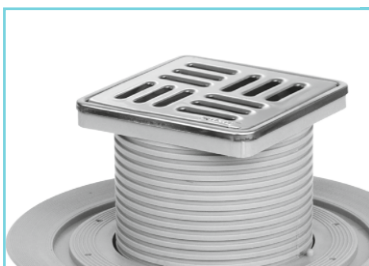
All steel alloys used in Sukar products are made of 304 quality stainless steel. Thus they challenge time and they are durable and healthy.



Anti-Odors

Developed and patented by Sukar, **Kokumatik (Odormatic)** without water anti-odors, discharge water as soon as it contacts water, thanks to its flap systems and prevents odors and bugs from entering, by closing when there's no water in the system and protects the buildings. With/without water odor-anti-odors provide the same functionality thanks to the double system they bear.

Kokumatik (Odormatic) has reached over 2.5 million users in 7 years.



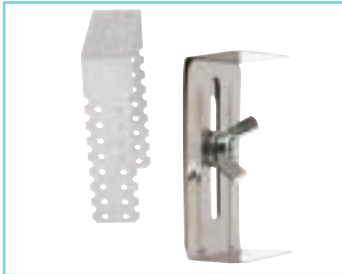
Adjustable Top Cases

Sukar products are designed with height adjustable top bodies for easy use and application. Thus water insulation and heat insulation can be applied at any level enabling thick screed applications or thick top layer coating applications.



Laminated Leak-Proof Sealing

Laminated leak-proof laminated sealed used in Sukar Products provide perfect water insulation between top and bottom bodies. In bottom bodies where laminated leak-proof laminated sealed cannot be used, a laminated sealed to provide the same functionality has been used. In such cases a double outlet function can be obtained without use of sealing rings.



Height and Level Adjustment Legs

Thanks to the metal or plastic legs that enable adjustment of height and level surfaces of shower drain cases, you can adjust the height you desire and ensure that the product is level.

Thanks to this detail Sukar Shower Drains can be easily installed.



Hygiene and Health

All Sukar products are designed in slopes provide flow rates enabling quick discharge of water and easy flow while reducing corrosion.

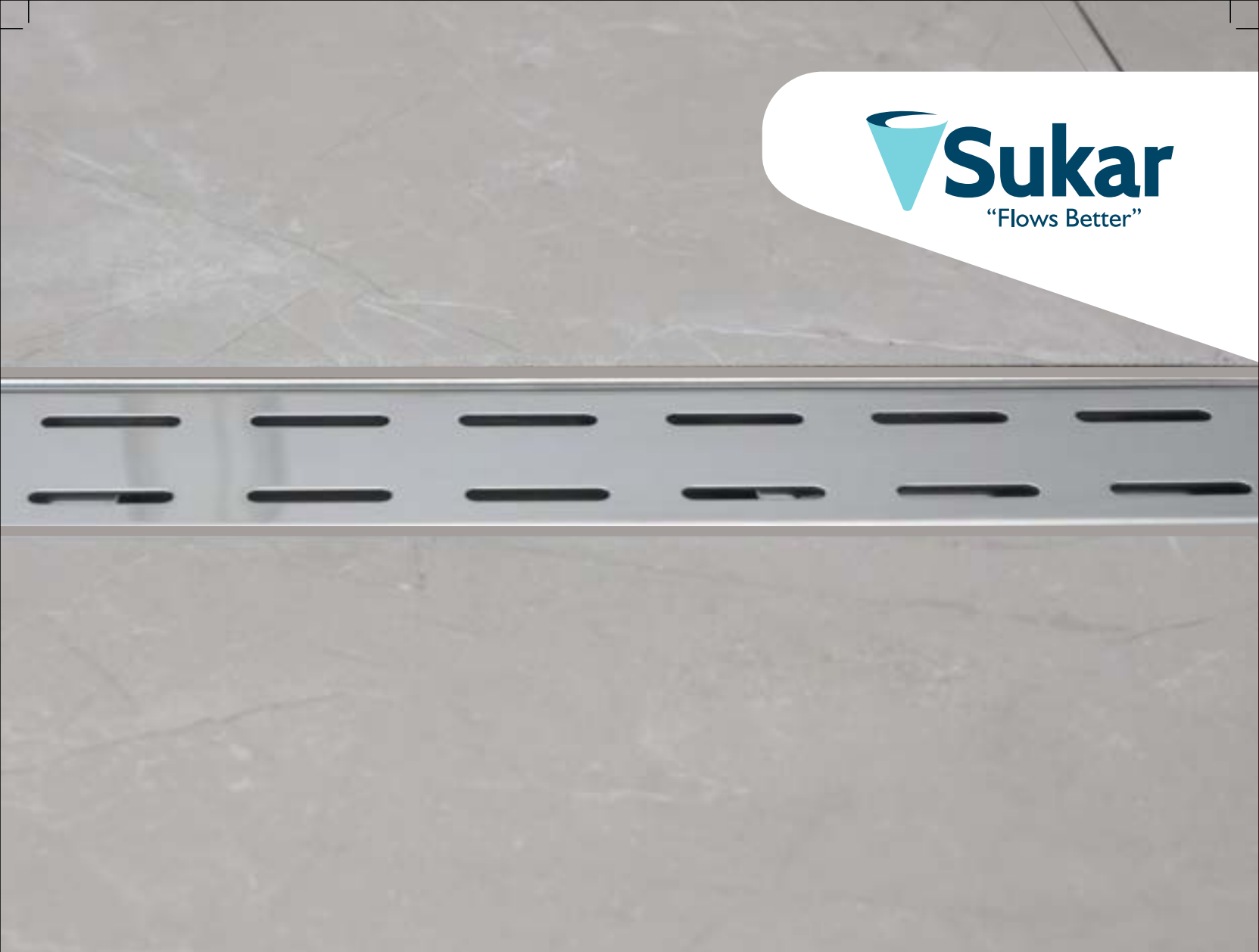
With or without water anti-odor systems along with waste trapping details, aim Sukar products users to live safely and comfortably in healthy and hygienic environments.



Aesthetics and Style

Naturally, all above functions are combined with aesthetics and provided to your use.

All products in this catalogue are produced within the frame of the quality mission of Sukar stated above and are under after sale guarantee of Sukar.

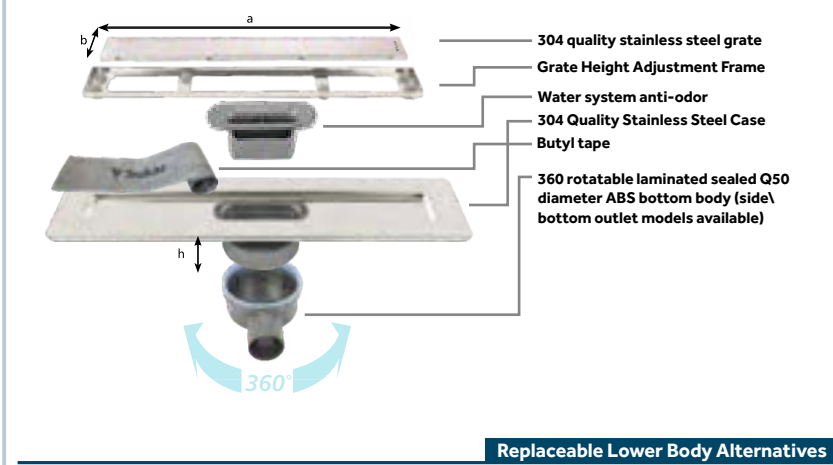
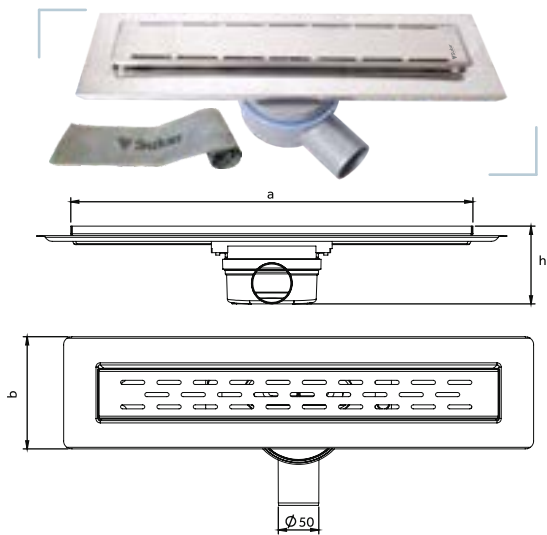


Linear Shower Drains

Line / 1

Linear Shower Drain

/Suitable for liquid insulation, stainless steel case, two-tier draining



Replaceable Lower Body Alternatives



*Pls check page 114-115 for bottom bodies according to application height and direction .

Line / 1

Linear Shower Drain

Suitable for liquid insulation, stainless steel case, two-tier draining

LABYRINTH GRATE



Length a	Width b	Height h	Outlet Diameter	Product Code	Box Quantity
30 cm	13,8 cm	9,6 cm	Q50	1153-0983026-01	1
40 cm	13,8 cm	9,6 cm	Q50	1153-0984026-01	1
50 cm	13,8 cm	9,6 cm	Q50	1153-0985026-01	1
60 cm	13,8 cm	9,6 cm	Q50	1153-0986026-01	1
80 cm	13,8 cm	9,6 cm	Q50	1153-0988026-01	1

CUBE GRATE



Length a	Width b	Height h	Outlet Diameter	Product Code	Box Quantity
30 cm	13,8 cm	9,6 cm	Q50	1153-1003026-01	1
40 cm	13,8 cm	9,6 cm	Q50	1153-1004026-01	1
50 cm	13,8 cm	9,6 cm	Q50	1153-1005026-01	1
60 cm	13,8 cm	9,6 cm	Q50	1153-1006026-01	1
80 cm	13,8 cm	9,6 cm	Q50	1153-1008026-01	1

PLAIN GRATE



Length a	Width b	Height h	Outlet Diameter	Product Code	Box Quantity
30 cm	13,8 cm	9,6 cm	Q50	1153-1033026-01	1
40 cm	13,8 cm	9,6 cm	Q50	1153-1034026-01	1
50 cm	13,8 cm	9,6 cm	Q50	1153-1035026-01	1
60 cm	13,8 cm	9,6 cm	Q50	1153-1036026-01	1
80 cm	13,8 cm	9,6 cm	Q50	1153-1038026-01	1

Flow rate for Q50 is 0,38 lt/sec.

Line / 1

Linear Shower Drain

Suitable for liquid insulation, stainless steel case, two-tier draining

SLOT GRATE



Length a	Width b	Height h	Outlet Diameter	Product Code	Box Quantity
30 cm	13,8 cm	9,6 cm	Q50	1153-1063026-01	1
40 cm	13,8 cm	9,6 cm	Q50	1153-1064026-01	1
50 cm	13,8 cm	9,6 cm	Q50	1153-1065026-01	1
60 cm	13,8 cm	9,6 cm	Q50	1153-1066026-01	1
80 cm	13,8 cm	9,6 cm	Q50	1153-1068026-01	1

CERAMIC COMPATIBLE MODEL GRATE



Length a	Width b	Height h	Outlet Diameter	Product Code	Box Quantity
30 cm	13,8 cm	9,6 cm	Q50	1153-1253026-01	1
40 cm	13,8 cm	9,6 cm	Q50	1153-1254026-01	1
50 cm	13,8 cm	9,6 cm	Q50	1153-1255026-01	1
60 cm	13,8 cm	9,6 cm	Q50	1153-1256026-01	1
80 cm	13,8 cm	9,6 cm	Q50	1153-1258026-01	1

MARBLE COMPATIBLE MODEL GRATE



Length a	Width b	Height h	Outlet Diameter	Product Code	Box Quantity
30 cm	13,8 cm	10,6 cm	Q50	1153-1303026-01	1
40 cm	13,8 cm	10,6 cm	Q50	1153-1304026-01	1
50 cm	13,8 cm	10,6 cm	Q50	1153-1305026-01	1
60 cm	13,8 cm	10,6 cm	Q50	1153-1306026-01	1
80 cm	13,8 cm	10,6 cm	Q50	1153-1308026-01	1

Flow rate for Q50 is 0,38 lt/sec.

Advantages

- Thanks to Butyl tape it is suitable %100 all Liquid water insulation materials.
- 360 rotatable laminated sealed bottom body enables connection to installation pipe from any direction.
- Height adjustment legs provide easy installation, enables application of leveling concrete at any level required.
- Watered anti-odor system.
- It has bottom\side outlet models.
- Single piece custom production ranging from 20 cm to 250 cm can be ordered.

Areas of Use

It can be used for all wet surfaces requiring insulation where two-tier draining will be used such as;

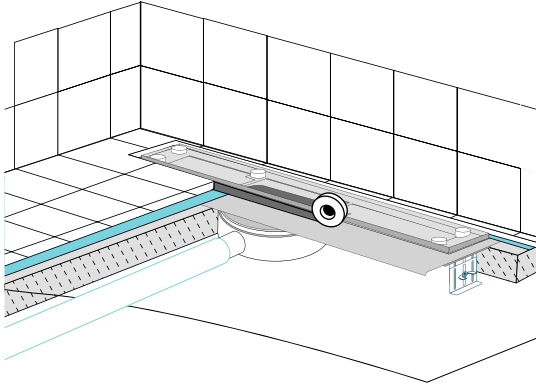
- Bathroom Showers
- Saunas and SPAs
- Hospital and hotel shower
- Dressing rooms and showers of fitness centers

Commercial Presentation

The product sold together with grate and case.

Easy Installation

- 360 rotatable bottom body can be adjusted to the direction of the plumbing for easy installation.
- Height adjustment legs ensure system to stay level when leveling screed is applied.
- Stainless steel case integrates into leveling screed thanks to its side folds.
- Stainless steel skirt is fitted to stay under the insulation layer.
- Height adjustment frame can be used to adjust grate level according to the ceramic height.
- This system has two-tier draining.



Contents of the Package

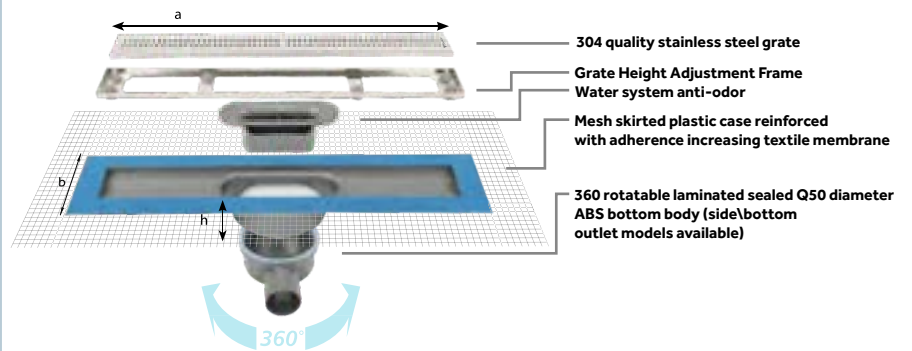
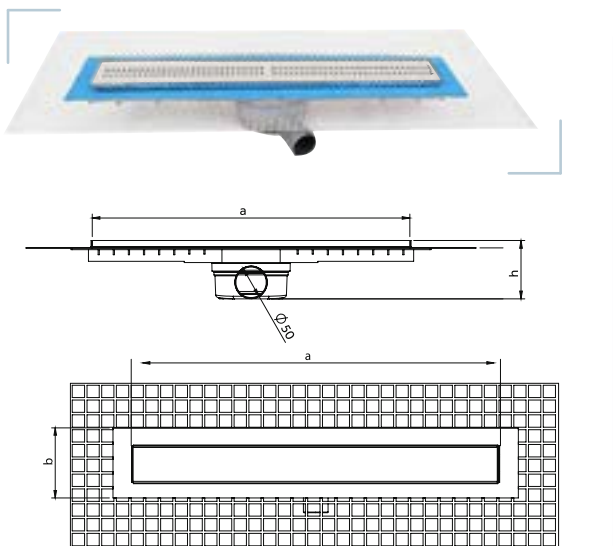
Grate height adjustment frame, 304 quality stainless steel grate, with water system anti-odor, 304 quality stainless steel case, 360 laminated sealed Q50 diameter ABS bottom body, butyl tape.



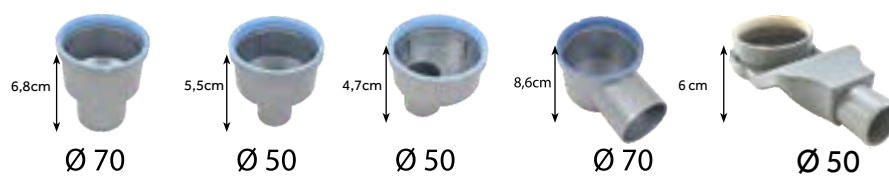
Line / 2

Linear Shower Drains

/ Suitable for liquid insulation, two-tier draining, plastic case



Replaceable Lower Body Alternatives



*Pls check page 114-115 for bottom bodies according to application height and direction .

LABYRINTH GRATE



Length a	Width b	Height h	Outlet Diameter	Product Code	Box Quantity
40 cm	11,35 cm	9 cm	Q50	1154-0984023-01	1
50 cm	11,35 cm	9 cm	Q50	1154-0985023-01	1
60 cm	11,35 cm	9 cm	Q50	1154-0986023-01	1
70 cm	11,35 cm	9 cm	Q50	1154-0987023-01	1
80 cm	11,35 cm	9 cm	Q50	1154-0988023-01	1
90 cm	11,35 cm	9 cm	Q50	1154-0989023-01	1
100 cm	11,35 cm	9 cm	Q50	1154-0981023-01	1

CUBE GRATE



Length a	Width b	Height h	Outlet Diameter	Product Code	Box Quantity
40 cm	11,35 cm	9 cm	Q50	1154-1004023-01	1
50 cm	11,35 cm	9 cm	Q50	1154-1005023-01	1
60 cm	11,35 cm	9 cm	Q50	1154-1006023-01	1
70 cm	11,35 cm	9 cm	Q50	1154-1007023-01	1
80 cm	11,35 cm	9 cm	Q50	1154-1008023-01	1
90 cm	11,35 cm	9 cm	Q50	1154-1009023-01	1
100 cm	11,35 cm	9 cm	Q50	1154-1001023-01	1

PLAIN GRATE



Length a	Width b	Height h	Outlet Diameter	Product Code	Box Quantity
40 cm	11,35 cm	9 cm	Q50	1154-1034023-01	1
50 cm	11,35 cm	9 cm	Q50	1154-1035023-01	1
60 cm	11,35 cm	9 cm	Q50	1154-1036023-01	1
70 cm	11,35 cm	9 cm	Q50	1154-1037023-01	1
80 cm	11,35 cm	9 cm	Q50	1154-1038023-01	1
90 cm	11,35 cm	9 cm	Q50	1154-1039023-01	1
100 cm	11,35 cm	9 cm	Q50	1154-1031023-01	1

Flow rate for Q50 is 0,38 lt/sec.

Line / 2

Linear Shower Drain

Suitable for liquid insulation, two-tier draining, plastic case

SLOT GRATE



Length a	Width b	Height h	Outlet Diameter	Product Code	Box Quantity
40 cm	11,35 cm	9 cm	Q50	1154-1064023-01	1
50 cm	11,35 cm	9 cm	Q50	1154-1065023-01	1
60 cm	11,35 cm	9 cm	Q50	1154-1066023-01	1
70 cm	11,35 cm	9 cm	Q50	1154-1067023-01	1
80 cm	11,35 cm	9 cm	Q50	1154-1068023-01	1
90 cm	11,35 cm	9 cm	Q50	1154-1069023-01	1
100 cm	11,35 cm	9 cm	Q50	1154-1061023-01	1

CERAMIC COMPATIBLE MODEL GRATE



Length a	Width b	Height h	Outlet Diameter	Product Code	Box Quantity
40 cm	11,35 cm	10 cm	Q50	1154-1254023-01	1
50 cm	11,35 cm	10 cm	Q50	1154-1255023-01	1
60 cm	11,35 cm	10 cm	Q50	1154-1256023-01	1
70 cm	11,35 cm	10 cm	Q50	1154-1257023-01	1
80 cm	11,35 cm	10 cm	Q50	1154-1258023-01	1
90 cm	11,35 cm	10 cm	Q50	1154-1259023-01	1
100 cm	11,35 cm	10 cm	Q50	1154-1251023-01	1

MARBLE COMPATIBLE MODEL GRATE



Length a	Width b	Height h	Outlet Diameter	Product Code	Box Quantity
40 cm	11,35 cm	11 cm	Q50	1154-1304023-01	1
50 cm	11,35 cm	11 cm	Q50	1154-1305023-01	1
60 cm	11,35 cm	11 cm	Q50	1154-1306023-01	1
70 cm	11,35 cm	11 cm	Q50	1154-1307023-01	1
80 cm	11,35 cm	11 cm	Q50	1154-1308023-01	1
90 cm	11,35 cm	11 cm	Q50	1154-1309023-01	1
100 cm	11,35 cm	11 cm	Q50	1154-1301023-01	1

Flow rate for Q50 is 0,38 lt/sec.

Advantages

- %100 compatible with all liquid water insulation materials thanks to its mesh skirt integrated to the bottom body and its textile layer.
- 360 rotatable laminated sealed bottom body enables connection to installation pipe from any direction.
- Height adjustment legs provide easy installation, enables application of leveling concrete at any level required.

Areas of Use

It can be used where two-tier draining will be applied such as;

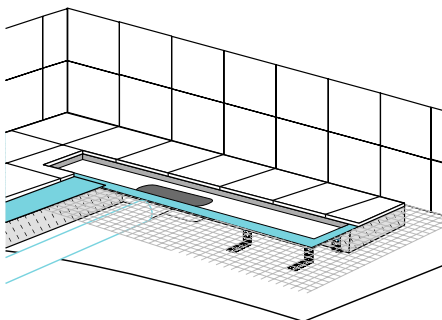
- Bathroom Showers
- Wet rooms without baseboard application
- Saunas and SPAs
- Hospital and hotel shower
- Dressing rooms and showers of fitness centers
- Common bathrooms and Turkish baths

Commercial Presentation

The product sold together with grate and case.

Easy Installation

- 360 rotatable bottom body can be adjusted to the direction of the plumbing for easy installation.
- Height adjustment legs ensure system to stay level when leveling screed is applied.
- Meshed insulation skirt integrated to the upper body is placed between liquid insulation layers applied above leveling screed, thanks to this application integration of insulation material with drain is provided.
- Height adjustment frame can be used to adjust grate level according to the ceramic height.
- This system has two-tier draining.



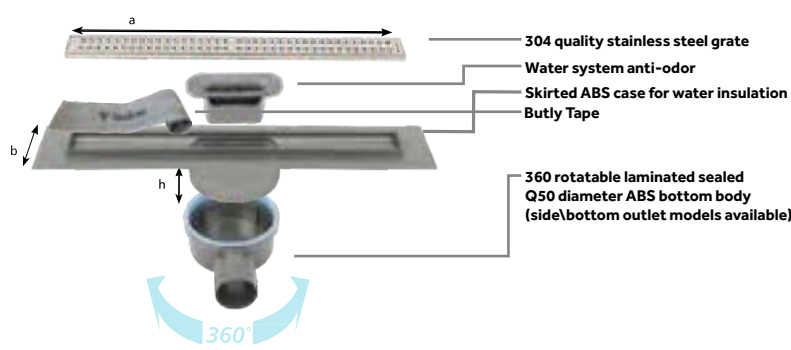
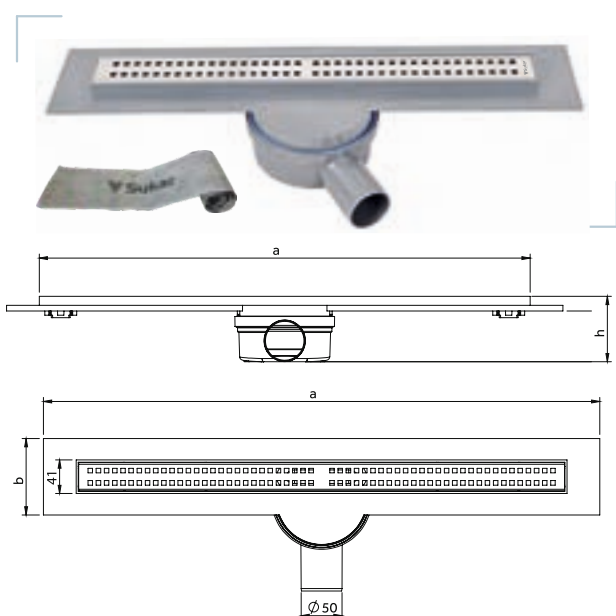
Contents of the Package

Grate height adjustment frame, 304 quality stainless steel grate, with water anti-odor, mesh skirt plastic case reinforced with adherence increasing textile insulation membrane, 360 rotatable laminated sealed Q50 diameter ABS bottom outlet.



Line / 3

Linear Shower Drain / Insulation skirt, plastic bottom body, economic

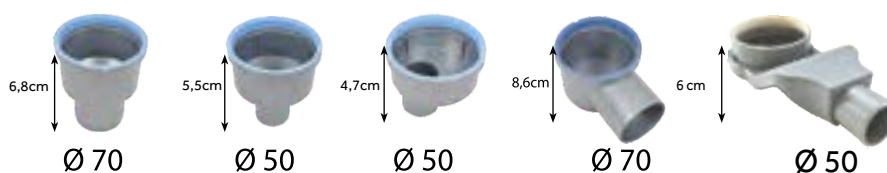


LINE 3 SHOWER DRAIN

Length a	Width b	Height h	Outlet Diameter	Product Code	Box Quantity
40 cm	4,1 cm	8 cm	Q50	1154-2394022-01	1
60 cm	4,1 cm	8 cm	Q50	1154-2396022-01	1
80 cm	4,1 cm	8 cm	Q50	1154-2398022-01	1

Flow rate for Q50 is 0,38 lt\sec.

Replaceable Lower Body Alternatives



*Pls check page 114-115 for bottom bodies according to application height and direction .

Advantages

- Thanks to its plastic insulation skirt, it enables water insulation in water leak points between the final ceramic layer and the drain and ensures regular ceramic application.
- It has 304 quality stainless steel grate.
- 360 rotatable laminated sealed ring bottom body enables connection to installation pipe from any direction.
- Suitable for baseboard applications.
- Height adjustment legs provide easy installation, enables application of leveling concrete at any level required.
- It has bottom\side outlet models.

Areas of Use

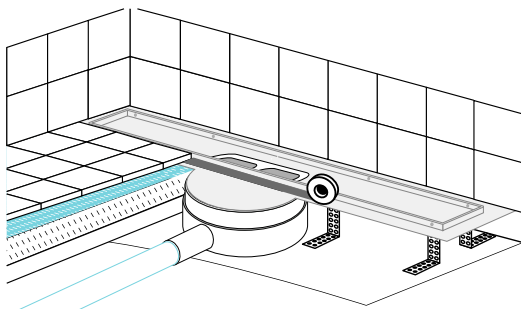
- It provides economic solution in insulated or uninsulated showers and two-tier draining feature can be added as desired. It can be used in baseboard applications;
- Bathroom Showers
- Saunas and SPAs
- Hospital and hotel shower
- Dressing rooms and showers of fitness centers

Commercial Presentation

The product sold together with grate and case.

Easy Installation

- 360 rotatable bottom body can be adjusted to the direction of the plumbing for easy installation.
- Height adjustment legs ensure system to stay level when leveling screed is applied.
- Water insulation applied over leveling concrete and insulation skirt of the canal is adhered using butyl tape.
- Plastic frame on the top case enables level ceramic application.
- This system can be fitted with two-tier draining by drilling holes on the plastic frame.



Contents of the Package

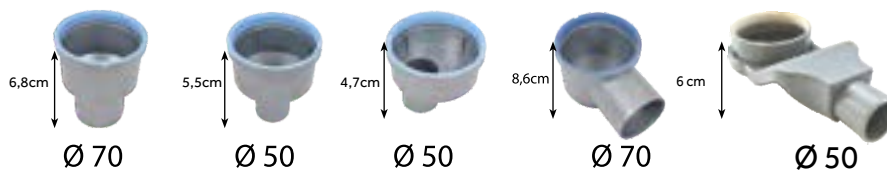
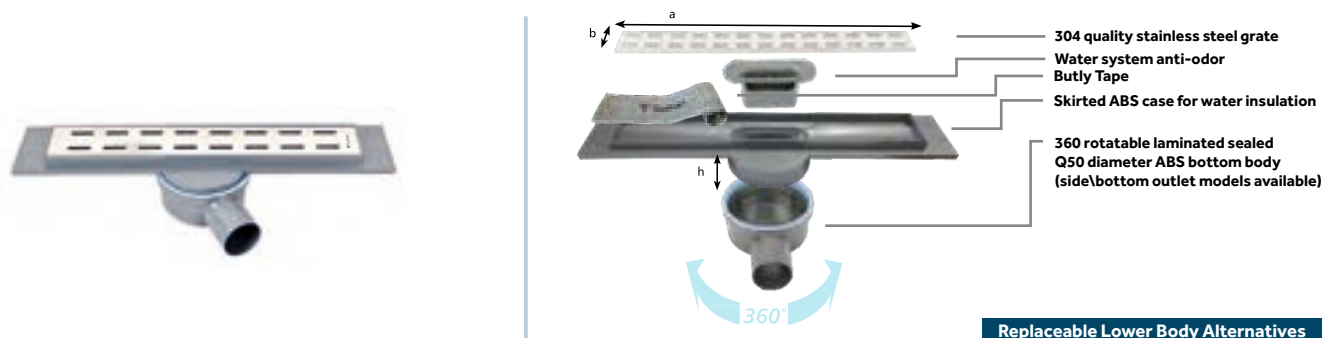
304 quality stainless steel grate, with water system anti-odor, skirted ABS case, height adjustment metal leveling legs, 360 rotatable laminated sealed Q50 diameter ABS bottom body, butyl tape.



Line / 3 G

Linear Shower Drain

Suitable for liquid insulation, two-tier draining, plastic case



*Pls check page 114-115 for bottom bodies according to application height and direction .



PLAIN GRATE

Length a	Width b	Height h	Outlet Diameter	Product Code	Box Quantity
40 cm	6 cm	8 cm	Q50	1154-2364022-01	1
60 cm	6 cm	8 cm	Q50	1154-2366022-01	1
80 cm	6 cm	8 cm	Q50	1154-2368022-01	1



SLOT GRATE

Length a	Width b	Height h	Outlet Diameter	Product Code	Box Quantity
40 cm	6 cm	8 cm	Q50	1154-2374022-01	1
60 cm	6 cm	8 cm	Q50	1154-2376022-01	1
80 cm	6 cm	8 cm	Q50	1154-2378022-01	1



CUBE GRATE

Length a	Width b	Height h	Outlet Diameter	Product Code	Box Quantity
40 cm	6 cm	8 cm	Q50	1154-2384022-01	1
60 cm	6 cm	8 cm	Q50	1154-2386022-01	1
80 cm	6 cm	8 cm	Q50	1154-2388022-01	1

Flow rate for Q50 is 0,38 lt/sec.

Advantages

- Thanks to its plastic insulation skirt, it enables water insulation in water leak points between the final ceramic layer and the drain and ensures regular ceramic application.
- It has 304 quality stainless steel grate.
- 360 rotatable laminated sealed ring bottom body enables connection to installation pipe from any direction.
- Suitable for baseboard applications.
- Height adjustment legs provide easy installation, enables application of leveling concrete at any level required.

Areas of Use

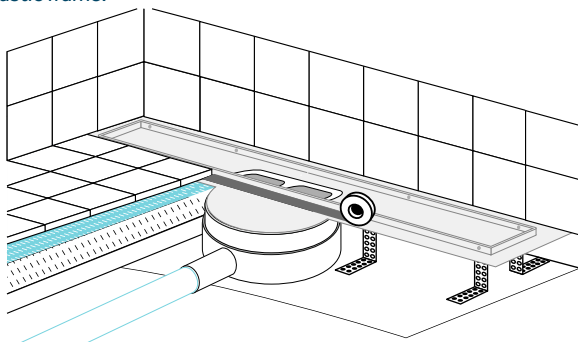
- It provides economic solution in insulated or uninsulated showers and two-tier draining feature can be added as desired. It can be used in baseboard applications;
- Bathroom Showers
- Saunas and SPAs
- Hospital and hotel shower
- Dressing rooms and showers of fitness centers

Commercial Presentation

The product sold together with grate and case.

Easy Installation

- 360 rotatable bottom body can be adjusted to the direction of the plumbing for easy installation.
- Height adjustment legs ensure system to stay level when leveling screed is applied.
- Water insulation applied over leveling concrete and insulation skirt of the canal is adhered using butyl tape.
- Plastic frame on the top case enables level ceramic application.
- This system can be fitted with two-tier draining by drilling holes on the plastic frame.



Contents of the Package

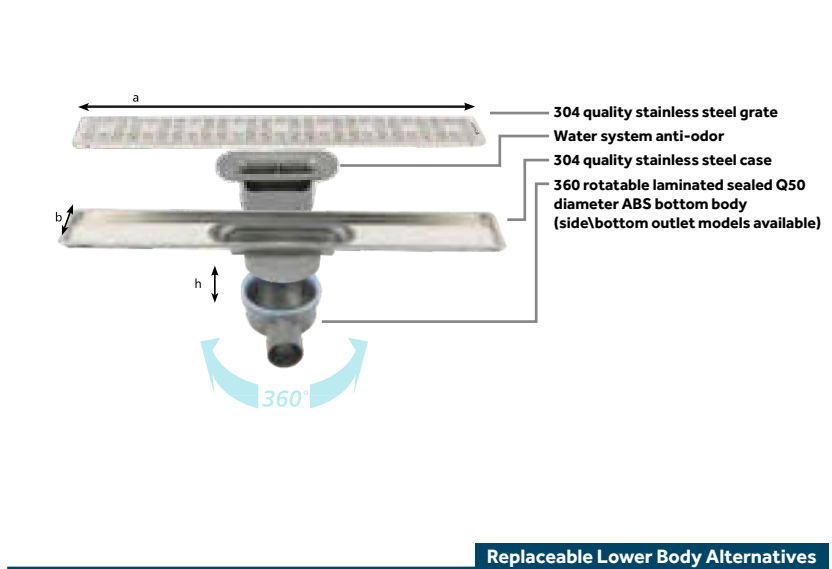
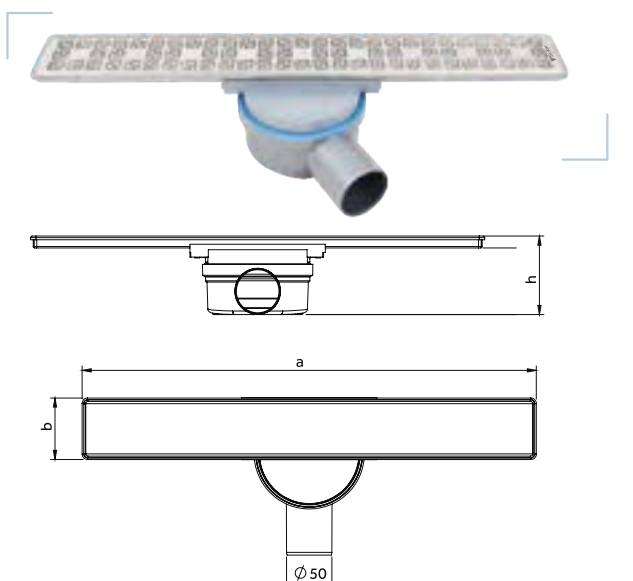
304 quality stainless steel grate, with water system anti-odor, skirted ABS case, height adjustment metal leveling legs, 360 rotatable laminated sealed Q50 diameter ABS bottom body, butyl tape.



Line / 4

Linear Shower Drain

/ Stainless Steel Case,
Without Insulation Skirt



Replaceable Lower Body Alternatives



*Pls check page 114-115 for bottom bodies according to application height and direction .



LABYRINTH GRATE

Length a	Width b	Height h	Outlet Diameter	Product Code	Box Quantity
20 cm	6,74 cm	8,6 cm	Q50	1153-1632023-01	1
30 cm	6,74 cm	8,6 cm	Q50	1153-1633023-01	1
40 cm	6,74 cm	8,6 cm	Q50	1153-1634023-01	1
50 cm	6,74 cm	8,6 cm	Q50	1153-1635023-01	1
60 cm	6,74 cm	8,6 cm	Q50	1153-1636023-01	1
65 cm	6,74 cm	8,6 cm	Q50	1153-1636523-01	1
80 cm	6,74 cm	8,6 cm	Q50	1153-1638023-01	1



CUBE GRATE

Length a	Width b	Height h	Outlet Diameter	Product Code	Box Quantity
20 cm	6,74 cm	8,6 cm	Q50	1153-2412023-01	1
30 cm	6,74 cm	8,6 cm	Q50	1153-2413023-01	1
40 cm	6,74 cm	8,6 cm	Q50	1153-2414023-01	1
50 cm	6,74 cm	8,6 cm	Q50	1153-2415023-01	1
60 cm	6,74 cm	8,6 cm	Q50	1153-2416023-01	1
65 cm	6,74 cm	8,6 cm	Q50	1153-2416523-01	1
80 cm	6,74 cm	8,6 cm	Q50	1153-2418023-01	1



PLAIN GRATE

Length a	Width b	Height h	Outlet Diameter	Product Code	Box Quantity
20 cm	6,74 cm	8,6 cm	Q50	1153-0812023-01	1
30 cm	6,74 cm	8,6 cm	Q50	1153-0813023-01	1
40 cm	6,74 cm	8,6 cm	Q50	1153-0814023-01	1
50 cm	6,74 cm	8,6 cm	Q50	1153-0815023-01	1
60 cm	6,74 cm	8,6 cm	Q50	1153-0816023-01	1
65 cm	6,74 cm	8,6 cm	Q50	1153-0816523-01	1
80 cm	6,74 cm	8,6 cm	Q50	1153-0818023-01	1



SLOT GRATE

Length a	Width b	Height h	Outlet Diameter	Product Code	Box Quantity
20 cm	6,74 cm	8,6 cm	Q50	1153-1322023-01	1
30 cm	6,74 cm	8,6 cm	Q50	1153-1323023-01	1
40 cm	6,74 cm	8,6 cm	Q50	1153-1324023-01	1
50 cm	6,74 cm	8,6 cm	Q50	1153-1325023-01	1
60 cm	6,74 cm	8,6 cm	Q50	1153-1326023-01	1
65 cm	6,74 cm	8,6 cm	Q50	1153-1326523-01	1
80 cm	6,74 cm	8,6 cm	Q50	1153-1328023-01	1



CERAMIC COMPATIBLE GRATE

Length a	Width b	Height h	Outlet Diameter	Product Code	Box Quantity
65 cm	6,74 cm	8,6 cm	Q50	1153-2426523-01	1
80 cm	6,74 cm	8,6 cm	Q50	1153-2428023-01	1

Flow rate for Q50 is 0,38 lt/sec.

Advantages

- Stainless steel case provides stylish look. Without skirts, the case can be used not only for showers but any baseboard application.
- 360 rotatable laminated sealed bottom body enables connection to installation pipe from any direction.
- Height adjustment legs provide easy installation, enables application, of leveling concrete at any level required.
- It has bottom\side outlet models.
- Single piece custom production ranging from 20 cm to 250 cm can be ordered.

Areas of Use

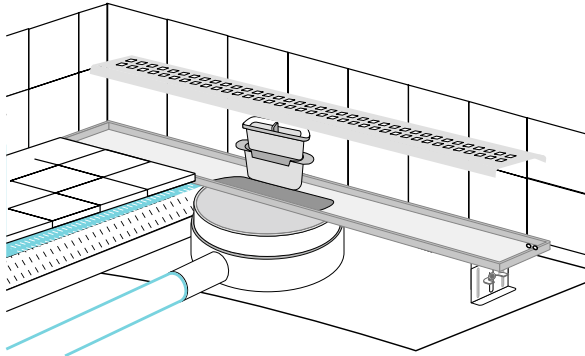
- Bathroom Showers
- Saunas and SPAs
- Hospital and hotel shower
- Dressing rooms and showers of fitness centers
- Terraces and balconies
- Outdoor showers (pool, garden, beach showers, etc.)

Commercial Presentation

The product sold together with grate and case.

Easy Installation

- 360 rotatable bottom body can be adjusted to the direction of the plumbing for easy installation.
- Height adjustment legs ensure system to stay level when leveling screed is applied.
- Installation is finished by leveling the ceramic surface to be laid over insulation layer with the grate placed over the case.



Contents of the Package

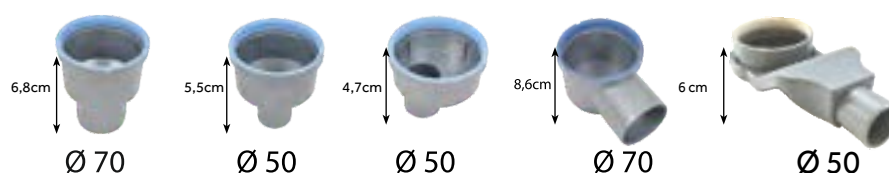
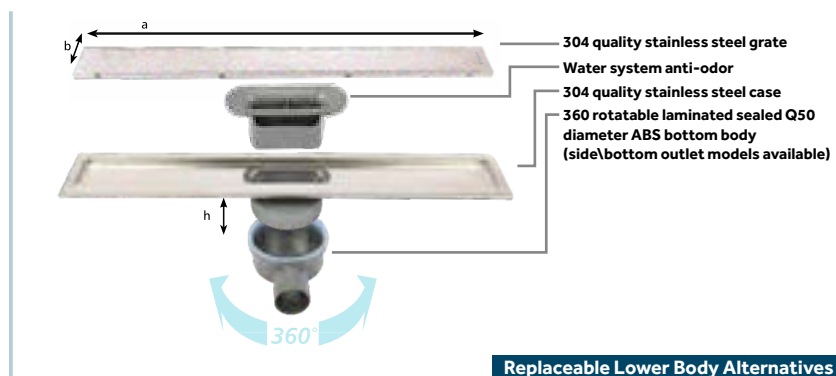
With water system anti-odor, 304 quality stainless steel case, 304 quality stainless grate, 360 rotatable laminated sealed Q50 diameter ABS bottom body.





Line / 4-D

Linear Shower Drain / Stainless Steel Case and With Up Skirt, Without Insulation Skirt



*Pls check page 114-115 for bottom bodies according to application height and direction .

Line / 4-D

Linear Shower Drain

Stainless Steel Case and With Up Skirt, Without Insulation Skirt



LABYRINTH GRATE

Length a	Width b	Height h	Outlet Diameter	Product Code	Box Quantity
20 cm	6 cm	8,6 cm	Q50	1153-1632023-02	1
30 cm	6 cm	8,6 cm	Q50	1153-1633023-02	1
40 cm	6 cm	8,6 cm	Q50	1153-1634023-02	1
50 cm	6 cm	8,6 cm	Q50	1153-1635023-02	1
65 cm	6 cm	8,6 cm	Q50	1153-1636523-02	1
80 cm	6 cm	8,6 cm	Q50	1153-1638023-02	1



CUBE GRATE

Length a	Width b	Height h	Outlet Diameter	Product Code	Box Quantity
20 cm	6 cm	8,6 cm	Q50	1153-2412023-02	1
30 cm	6 cm	8,6 cm	Q50	1153-2413023-02	1
40 cm	6 cm	8,6 cm	Q50	1153-2414023-02	1
50 cm	6 cm	8,6 cm	Q50	1153-2415023-02	1
65 cm	6 cm	8,6 cm	Q50	1153-2416523-02	1
80 cm	6 cm	8,6 cm	Q50	1153-2418023-02	1



PLAIN GRATE

Length a	Width b	Height h	Outlet Diameter	Product Code	Box Quantity
20 cm	6 cm	8,6 cm	Q50	1153-0812023-02	1
30 cm	6 cm	8,6 cm	Q50	1153-0813023-02	1
40 cm	6 cm	8,6 cm	Q50	1153-0814023-02	1
50 cm	6 cm	8,6 cm	Q50	1153-0815023-02	1
65 cm	6 cm	8,6 cm	Q50	1153-0816523-02	1
80 cm	6 cm	8,6 cm	Q50	1153-0818023-02	1



SLOT GRATE

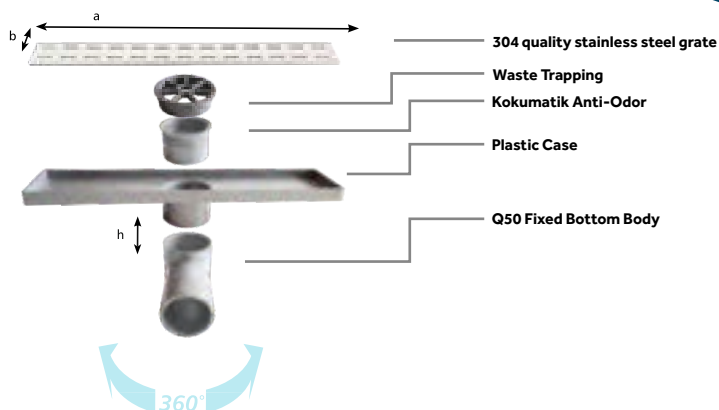
Length a	Width b	Height h	Outlet Diameter	Product Code	Box Quantity
20 cm	6 cm	8,6 cm	Q50	1153-1322023-02	1
30 cm	6 cm	8,6 cm	Q50	1153-1323023-02	1
40 cm	6 cm	8,6 cm	Q50	1153-1324023-02	1
50 cm	6 cm	8,6 cm	Q50	1153-1325023-02	1
65 cm	6 cm	8,6 cm	Q50	1153-1326523-02	1
80 cm	6 cm	8,6 cm	Q50	1153-1328023-02	1

Flow rate for Q50 is 0,38 lt/sec.

Line / 4 E

Linear Shower Drain

Plastic case, Without Insulation Skirt



PLAIN GRATE

Length a	Width b	Height h	Outlet Diameter	Product Code	Box Quantity
20 cm	6 cm	8,6 cm	Q50	1154-1032050-01	45
30 cm	6 cm	8,6 cm	Q50	1154-1033050-01	28
40 cm	6 cm	8,6 cm	Q50	1154-1034050-01	45
50 cm	6 cm	8,6 m	Q50	1154-1035050-01	30
60 cm	6 cm	8,6 m	Q50	1154-1036050-01	30



SLOT GRATE

Length a	Width b	Height h	Outlet Diameter	Product Code	Box Quantity
20 cm	6 cm	8,6 cm	Q50	1154-1062050-01	45
30 cm	6 cm	8,6 cm	Q50	1154-1063050-01	28
40 cm	6 cm	8,6 cm	Q50	1154-1064050-01	45
50 cm	6 cm	8,6 m	Q50	1154-1065050-01	30
60 cm	6 cm	8,6 m	Q50	1154-1066050-01	30



CUBE GRATE

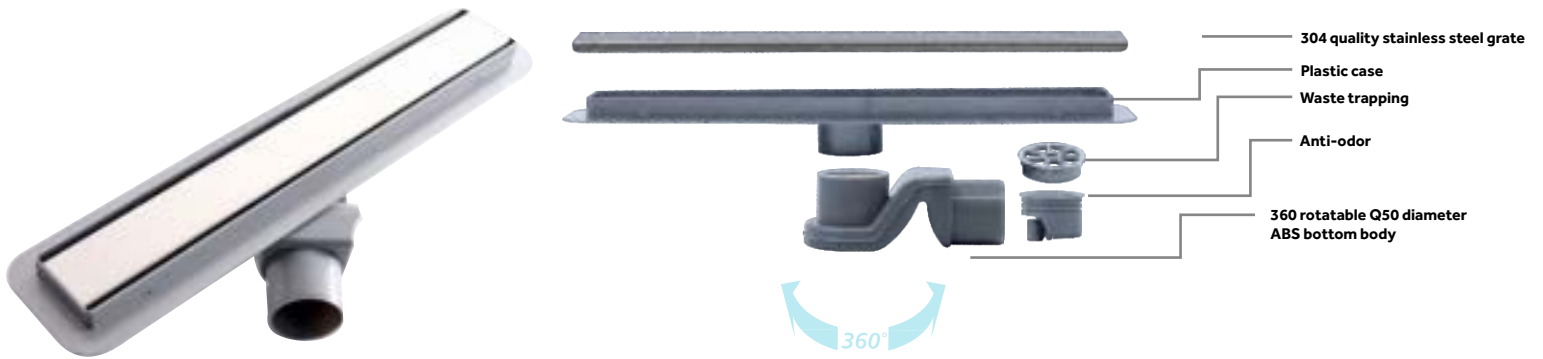
Length a	Width b	Height h	Outlet Diameter	Product Code	Box Quantity
20 cm	6 cm	8,6 cm	Q50	1154-1002050-01	45
30 cm	6 cm	8,6 cm	Q50	1154-1003050-01	28
40 cm	6 cm	8,6 cm	Q50	1154-1004050-01	45
50 cm	6 cm	8,6 m	Q50	1154-1005050-01	30
60 cm	6 cm	8,6 m	Q50	1154-1006050-01	30

Flow rate for Q50 is 0,38 lt/sec.

Line /4S

Linear Shower Drain

Plastic case, with insulation skirt



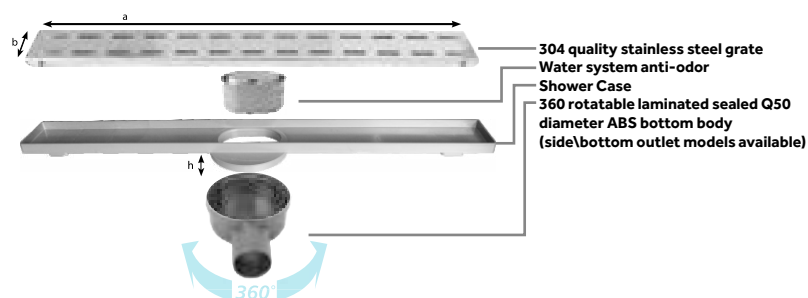
PLAIN GRATE

Length a	Width b	Height h	Outlet Diameter	Product Code	Box Quantity
40 cm	6 cm	8,6 cm	Ø50	1154-1035050-01	45
60 cm	6 cm	8,6 cm	Ø50	1154-1036050-01	30

Line / 4P

Linear Shower Drain

Linear Drain Case, Without Insulation Skirt



PLAIN GRATE

Length a	Width b	Height h	Outlet Diameter	Product Code	Box Quantity
20 cm	6 cm	6,90 cm	Q50	1154-1032050-02	1
30 cm	6 cm	6,90 cm	Q50	1154-1033050-02	1
40 cm	6 cm	6,90 cm	Q50	1154-1034050-02	1
50 cm	6 cm	6,90 cm	Q50	1154-1035050-02	1
60 cm	6 cm	6,90 cm	Q50	1154-1036050-02	1



SLOT GRATE

Length a	Width b	Height h	Outlet Diameter	Product Code	Box Quantity
20 cm	6 cm	6,90 cm	Q50	1154-1062050-02	1
30 cm	6 cm	6,90 cm	Q50	1154-1063050-02	1
40 cm	6 cm	6,90 cm	Q50	1154-1064050-02	1
50 cm	6 cm	6,90 cm	Q50	1154-1065050-02	1
60 cm	6 cm	6,90 cm	Q50	1154-1066050-02	1



CUBE GRATE

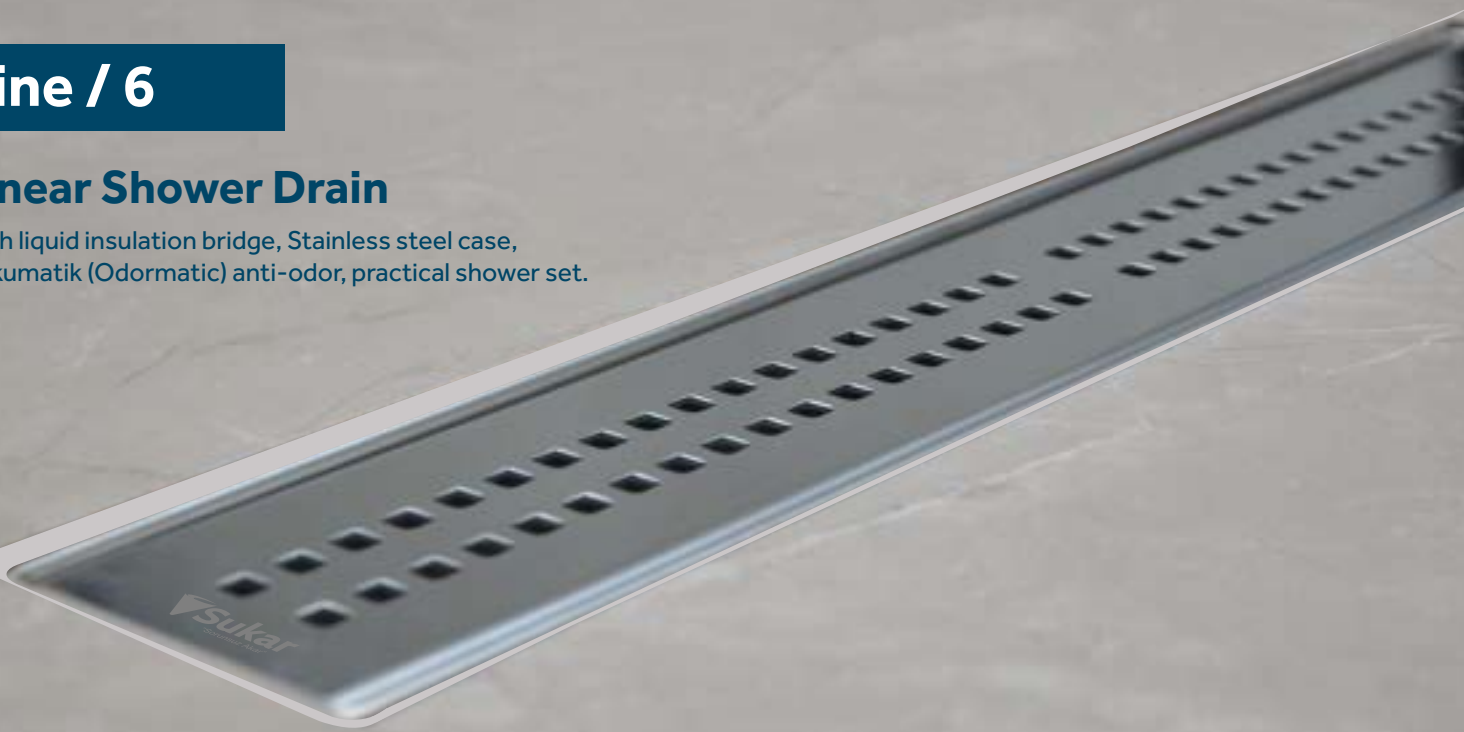
Length a	Width b	Height h	Outlet Diameter	Product Code	Box Quantity
20 cm	6 cm	6,90 cm	Q50	1154-1002050-02	1
30 cm	6 cm	6,90 cm	Q50	1154-1003050-02	1
40 cm	6 cm	6,90 cm	Q50	1154-1004050-02	1
50 cm	6 cm	6,90 cm	Q50	1154-1005050-02	1
60 cm	6 cm	6,90 cm	Q50	1154-1006050-02	1

Flow rate for Q50 is 0,38 lt/sec.

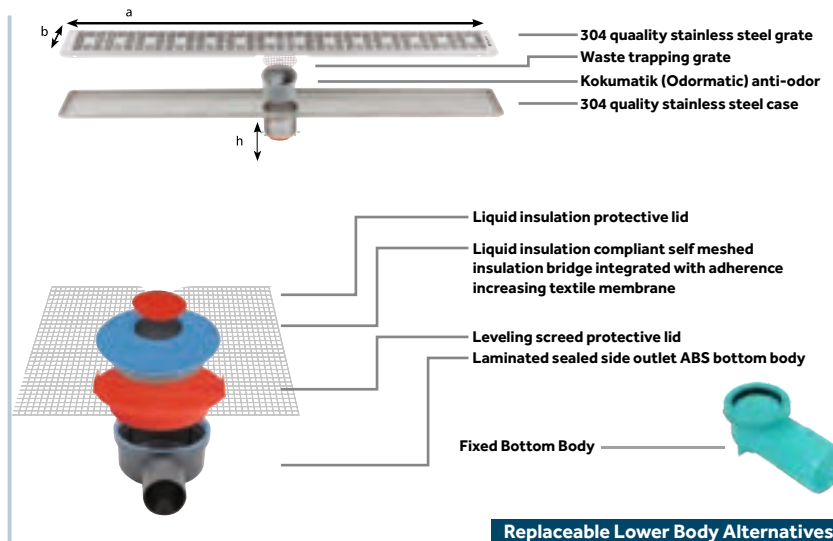
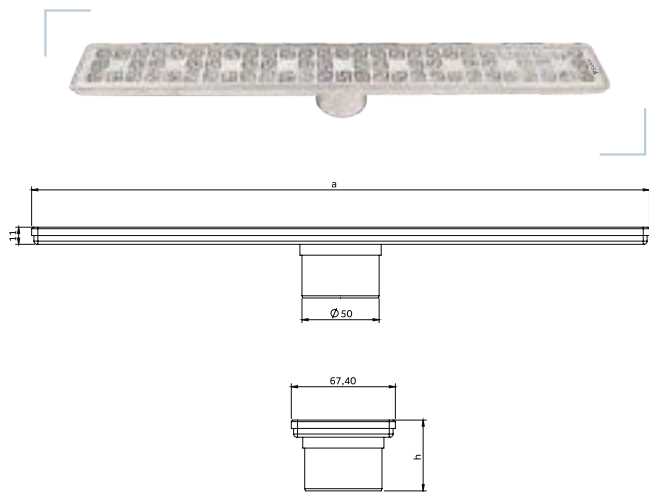
Line / 6

Linear Shower Drain

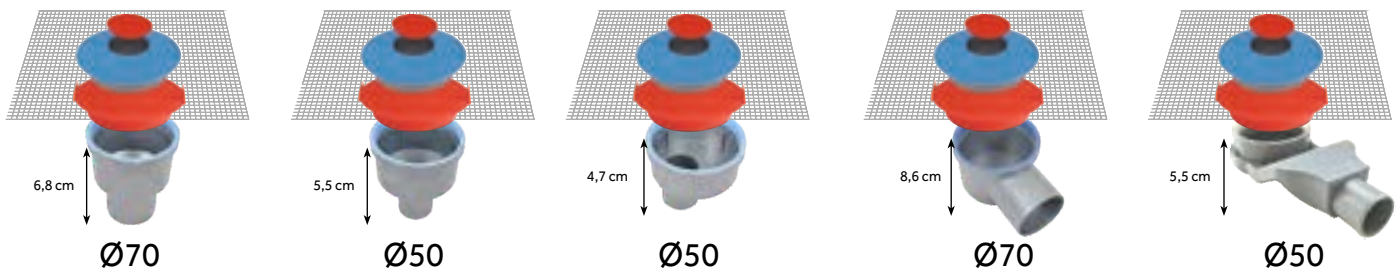
With liquid insulation bridge, Stainless steel case, Kokumatik (Odormatic) anti-odor, practical shower set.



Application Video



Replaceable Lower Body Alternatives

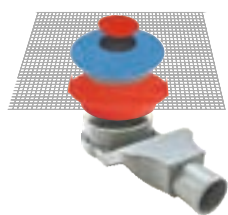


*Pls check page 114-115 for bottom bodies according to application height and direction .

Line / 6

Linear Shower Drain

With liquid insulation bridge, Stainless steel case, Kokumatik (Odormatic) anti-odor, practical shower set.



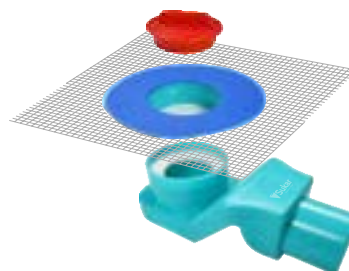
BIG "S" INSULATION KIT

Outlet Diameter	Product Code	Box Quantity
Ø50	1002-0385023-13	70



INSULATION KIT

Outlet Diameter	Product Code
Q50	1002-0385023-11



NEW INSULATION KIT

Outlet Diameter	Product Code	Box Quantity
Q50	1002-0385023-12	1



FIXED BOTTOM BODY

Outlet Diameter	Product Code
Q50	1001-2605022-11



LABYRINTH GRATE

Length a	Width b	Height h	Outlet Diameter	Product Code	Box Quantity
20 cm	6 cm	4,5 cm	Q50	1156-0982000-01	1
30 cm	6 cm	4,5 cm	Q50	1156-0983000-01	1
40 cm	6 cm	4,5 cm	Q50	1156-0984000-01	1
50 cm	6 cm	4,5 cm	Q50	1156-0985000-01	1
60 cm	6 cm	4,5 cm	Q50	1156-0986000-01	1
65 cm	6 cm	4,5 cm	Q50	1156-0986500-01	1
80 cm	6 cm	4,5 cm	Q50	1156-0988000-01	1



CUBE GRATE

Length a	Width b	Height h	Outlet Diameter	Product Code	Box Quantity
20 cm	6 cm	4,5 cm	Q50	1156-1002000-01	1
30 cm	6 cm	4,5 cm	Q50	1156-1003000-01	1
40 cm	6 cm	4,5 cm	Q50	1156-1004000-01	1
50 cm	6 cm	4,5 cm	Q50	1156-1005000-01	1
60 cm	6 cm	4,5 cm	Q50	1156-1006000-01	1
65 cm	6 cm	4,5 cm	Q50	1156-1006500-01	1
80 cm	6 cm	4,5 cm	Q50	1156-1008000-01	1



PLAIN GRATE

Length a	Width b	Height h	Outlet Diameter	Product Code	Box Quantity
20 cm	6 cm	4,5 cm	Q50	1156-1032000-01	1
30 cm	6 cm	4,5 cm	Q50	1156-1033000-01	1
40 cm	6 cm	4,5 cm	Q50	1156-1034000-01	1
50 cm	6 cm	4,5 cm	Q50	1156-1035000-01	1
60 cm	6 cm	4,5 cm	Q50	1156-1036000-01	1
65 cm	6 cm	4,5 cm	Q50	1156-1036500-01	1
80 cm	6 cm	4,5 cm	Q50	1156-1038000-01	1



SLOT GRATE

Length a	Width b	Height h	Outlet Diameter	Product Code	Box Quantity
20 cm	6 cm	4,5 cm	Q50	1156-1062000-01	1
30 cm	6 cm	4,5 cm	Q50	1156-1063000-01	1
40 cm	6 cm	4,5 cm	Q50	1156-1064000-01	1
50 cm	6 cm	4,5 cm	Q50	1156-1065000-01	1
60 cm	6 cm	4,5 cm	Q50	1156-1066000-01	1
65 cm	6 cm	4,5 cm	Q50	1156-1066500-01	1
80 cm	6 cm	4,5 cm	Q50	1156-1068000-01	1



GOLD PLAIN GRATE

Length a	Width b	Height h	Outlet Diameter	Product Code	Box Quantity
40 cm	6 cm	4,5 cm	Ø50	1156-1034000-71	10
50 cm	6 cm	4,5 cm	Ø50	1156-1035000-71	10
60 cm	6 cm	4,5 cm	Ø50	1156-1036000-71	10

BRONZE PLAIN GRATE

Length a	Width b	Height h	Outlet Diameter	Product Code	Box Quantity
40 cm	6 cm	4,5 cm	Ø50	1156-1034000-71	10
50 cm	6 cm	4,5 cm	Ø50	1156-1035000-71	10
60 cm	6 cm	4,5 cm	Ø50	1156-1036000-71	10

BLACK PLAIN GRATE

Length a	Width b	Height h	Outlet Diameter	Product Code	Box Quantity
40 cm	6 cm	4,5 cm	Ø50	1156-1034000-71	10
50 cm	6 cm	4,5 cm	Ø50	1156-1035000-71	10
60 cm	6 cm	4,5 cm	Ø50	1156-1036000-71	10

CERAMIC COMPATIBLE MODEL

Length a	Width b	Height h	Outlet Diameter	Product Code	Box Quantity
40 cm	6 cm	4,5 cm	Ø50	1156-1034000-71	10
50 cm	6 cm	4,5 cm	Ø50	1156-1035000-71	10
60 cm	6 cm	4,5 cm	Ø50	1156-1036000-71	10

Advantages

- Stainless steel case provides stylish look. Without skirts, the case can be used not only for showers but any baseboard application.
- %100 compliant with all liquid water insulation materials thanks to the meshed skirt integrated into the insulation bridge and its textile layer.
- 360 rotatable laminated sealed bottom body enables connection to installation pipe from any direction.
- Single piece custom production ranging from 20 cm to 250 cm can be ordered.

Areas of Use

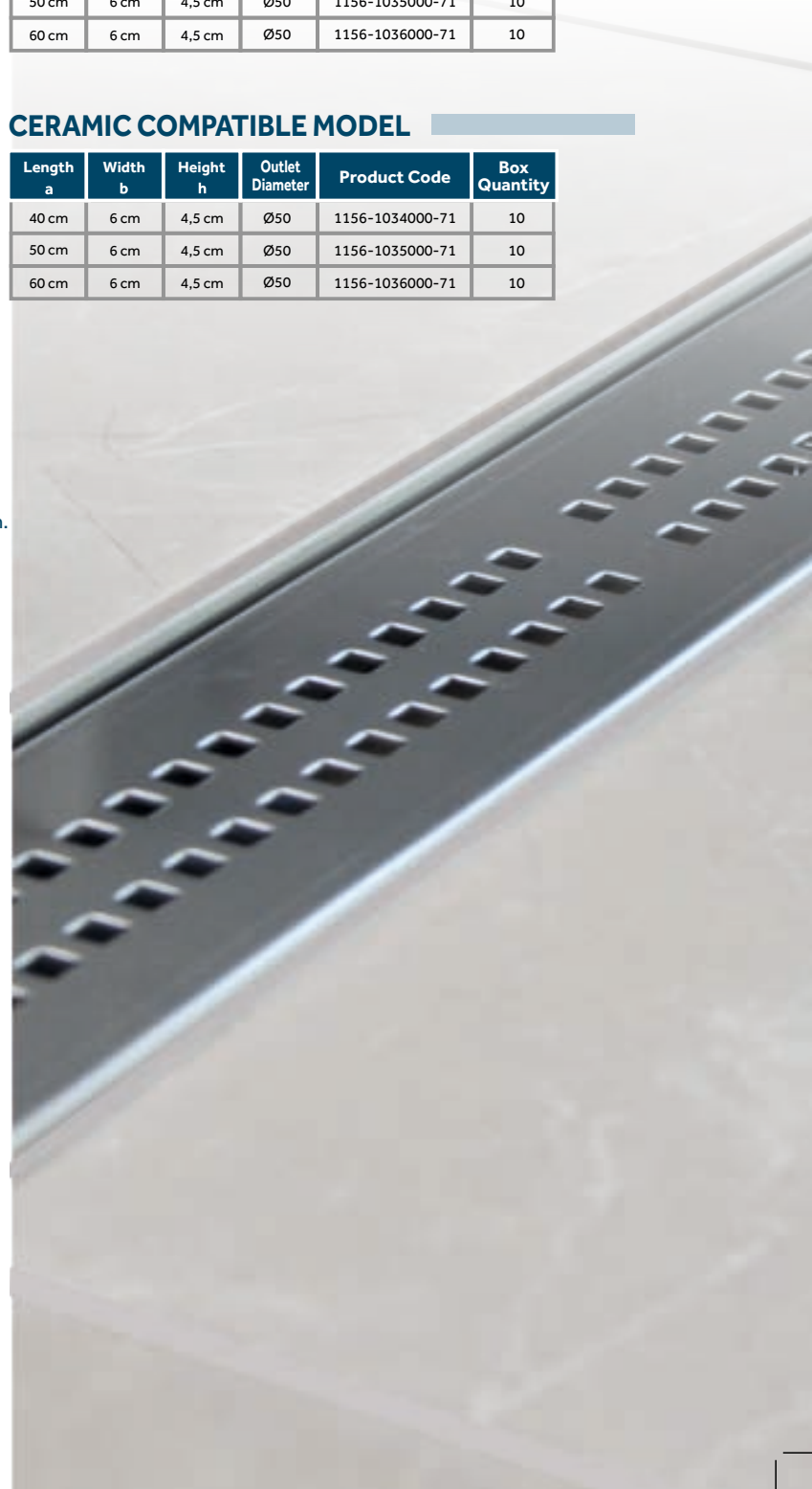
- Wet rooms with baseboard applicaiton
- Bathroom Showers
- Saunas and SPAs
- Hospital and hotel shower
- Dressing rooms and showers of fitness centers
- Bathhouses and Turkish bath open to public use
- It enables easy cleaning in densely used spaces with its waste trapping grate.

Commercial Presentation

The product sold together with grate and case.
The Insulation kit and fixed bottom body sold separately

Easy Installation

- When slope screed is applied, protective lid protects bottom body and meshed insulation skirt.
- Meshed upper body acting as an insulation bridge stays between insulation layers integrating drain to liquid insulation.
- Thus system is protected until ceramic tiles are laid and installation errors are minimized.
- The system has two-tier draining.



Linear Shower Drain

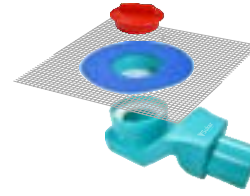
With liquid insulation bridge, Plastic case, Kokumatik (Odormatic) anti-odor, practical shower set.



INSULATION KIT

Outlet Diameter	Product Code	Box Quantity
Q50	1002-0385023-11	1

*Use insulation kit where insulation is to be applied.



"S" INSULATION KIT

Outlet Diameter	Product Code	Koli Adeti
Ø50	1002-0385023-12	60/125



CUBE GRATE

Length a	Width b	Height h	Outlet Diameter	Product Code	Box Quantity
20 cm	6 cm	4,5 cm	Q50	1154-1002000-01	1
30 cm	6 cm	4,5 cm	Q50	1154-1003000-01	1
40 cm	6 cm	4,5 cm	Q50	1154-1004000-01	1
50 cm	6 cm	4,5 cm	Q50	1154-1005000-01	1
60 cm	6 cm	4,5 cm	Q50	1154-1006000-01	1



PLAIN GRATE

Length a	Width b	Height h	Outlet Diameter	Product Code	Box Quantity
20 cm	6 cm	4,5 cm	Q50	1154-1032000-01	1
30 cm	6 cm	4,5 cm	Q50	1154-1033000-01	1
40 cm	6 cm	4,5 cm	Q50	1154-1034000-01	1
50 cm	6 cm	4,5 cm	Q50	1154-1035000-01	1
60 cm	6 cm	4,5 cm	Q50	1154-1036000-01	1



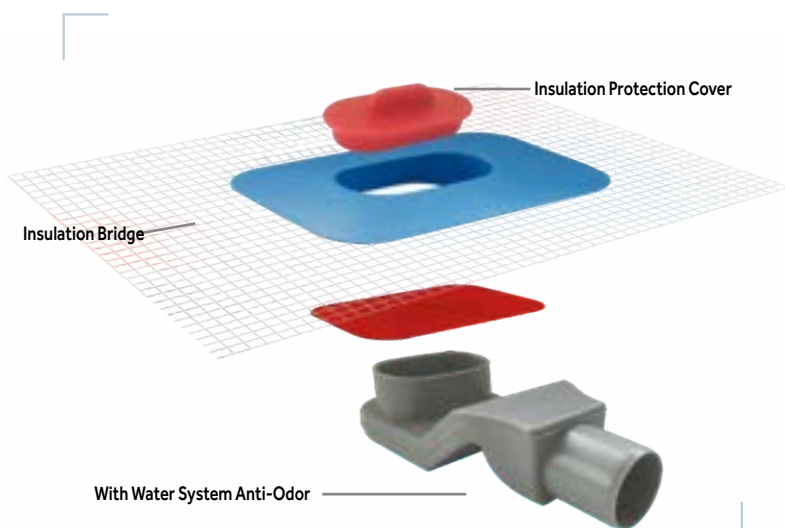
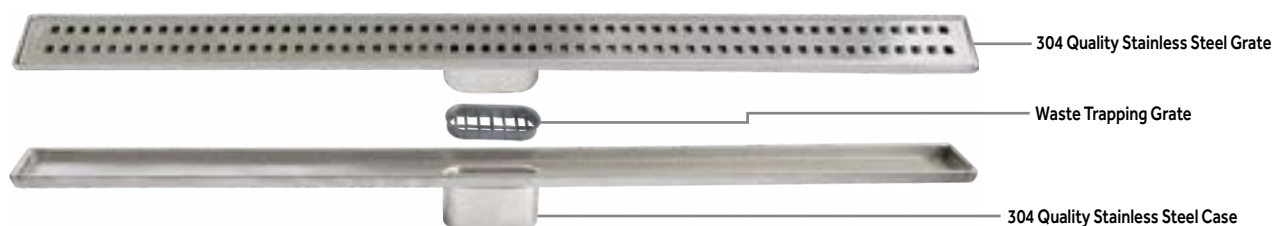
SLOT GRATE

Length a	Width b	Height h	Outlet Diameter	Product Code	Box Quantity
20 cm	6 cm	4,5 cm	Q50	1154-1062000-01	1
30 cm	6 cm	4,5 cm	Q50	1154-1063000-01	1
40 cm	6 cm	4,5 cm	Q50	1154-1064000-01	1
50 cm	6 cm	4,5 cm	Q50	1154-1065000-01	1
60 cm	6 cm	4,5 cm	Q50	1154-1066000-01	1

Line / 6 Slim

Linear Shower Drain

Stainless Steel Case, With Anti-Odor,
Can be installed to the bottom of the Wall, Slim Case



CUBE GRATE

Length a	Width b	Outlet Diameter	Product Code	Box Quantity
40 cm	3 cm	Ø50	1156-1004000-02	10
60 cm	3 cm	Ø50	1156-1006000-02	10

SLOT GRATE

Length a	Width b	Outlet Diameter	Product Code	Box Quantity
40 cm	3 cm	Ø50	1156-1064000-02	10
60 cm	3 cm	Ø50	1156-1066000-02	10

PLAIN GRATE

Length a	Width b	Outlet Diameter	Product Code	Box Quantity
40 cm	3 cm	Ø50	1156-1034000-02	10
60 cm	3 cm	Ø50	1156-1036000-02	10

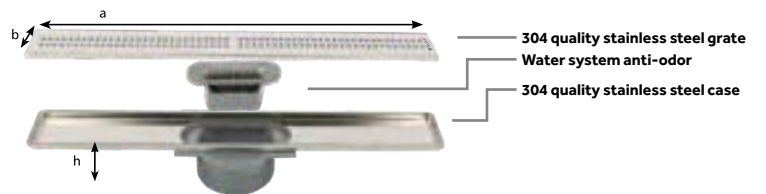
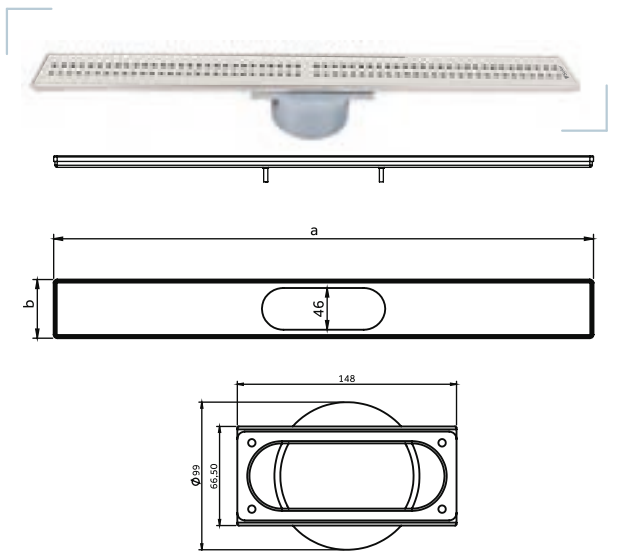
SLIM INSULATION KIT

Outlet Diameter	Product Code	Box Quantity
Ø50	1002-0385023-10	10

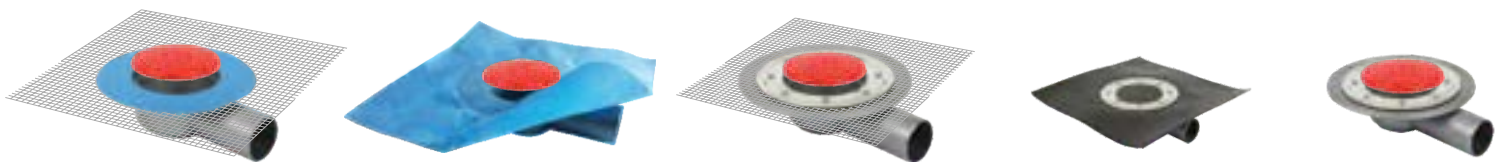
Line / 7

Linear Shower Drain

/ Compliant to all insulation types,
stainless steel case, adjustable height



Replaceable Lower Body Alternatives



*Pls check page 39-40-41 for bottom bodies detail according to water insulation type .

Line / 7

Linear Shower Drain

Compliant to all insulation types, stainless steel case, adjustable height



LABYRINTH GRATE

Length a	Width b	Height h	Outlet Diameter	Product Code	Box Quantity
20 cm	6,47 cm	5,35 cm	Q50	1153-1632033-01	1
30 cm	6,47 cm	5,35 cm	Q50	1153-1633033-01	1
40 cm	6,47 cm	5,35 cm	Q50	1153-1634033-01	1
50 cm	6,47 cm	5,35 cm	Q50	1153-1635033-01	1
60 cm	6,47 cm	5,35 cm	Q50	1153-1636033-01	1
65 cm	6,47 cm	5,35 cm	Q50	1153-1636533-01	1
80 cm	6,47 cm	5,35 cm	Q50	1153-1638033-01	1



CUBE GRATE

Length a	Width b	Height h	Outlet Diameter	Product Code	Box Quantity
20 cm	6,47 cm	5,35 cm	Q50	1153-2412033-01	1
30 cm	6,47 cm	5,35 cm	Q50	1153-2413033-01	1
40 cm	6,47 cm	5,35 cm	Q50	1153-2414033-01	1
50 cm	6,47 cm	5,35 cm	Q50	1153-2415033-01	1
60 cm	6,47 cm	5,35 cm	Q50	1153-2416033-01	1
65 cm	6,47 cm	5,35 cm	Q50	1153-2416533-01	1
80 cm	6,47 cm	5,35 cm	Q50	1153-2418033-01	1



PLAIN GRATE

Length a	Width b	Height h	Outlet Diameter	Product Code	Box Quantity
20 cm	6,47 cm	5,35 cm	Q50	1153-0812033-01	1
30 cm	6,47 cm	5,35 cm	Q50	1153-0813033-01	1
40 cm	6,47 cm	5,35 cm	Q50	1153-0814033-01	1
50 cm	6,47 cm	5,35 cm	Q50	1153-0815033-01	1
60 cm	6,47 cm	5,35 cm	Q50	1153-0816033-01	1
65 cm	6,47 cm	5,35 cm	Q50	1153-0816533-01	1
80 cm	6,47 cm	5,35 cm	Q50	1153-0818033-01	1



SLOT GRATE

Length a	Width b	Height h	Outlet Diameter	Product Code	Box Quantity
20 cm	6,47 cm	5,35 cm	Q50	1153-1322033-01	1
30 cm	6,47 cm	5,35 cm	Q50	1153-1323033-01	1
40 cm	6,47 cm	5,35 cm	Q50	1153-1324033-01	1
50 cm	6,47 cm	5,35 cm	Q50	1153-1325033-01	1
60 cm	6,47 cm	5,35 cm	Q50	1153-1326033-01	1
65 cm	6,47 cm	5,35 cm	Q50	1153-1326533-01	1
80 cm	6,47 cm	5,35 cm	Q50	1153-1328033-01	1

Advantages

- It is suitable %100 liquid and textile water insulation materials according to the selected bottom body.
- Upper body is adjustable from 1 cm to 5.5 cm height. This can be extended unlimitedly with an extension apparatus, which facilitates installation.
- Single piece custom production ranging from 20 cm to 250 cm can be ordered.

Areas of Use

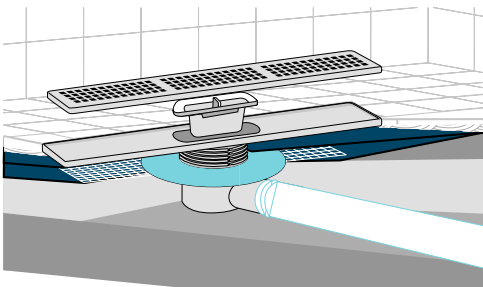
- It can be used in any location where liquid and bitumen membrane water insulation is applied; where thick floor cover such as marble is to be applied or all wet surfaces where heat insulation will be applied.
- Terraces with heat insulation
- Marble or high tile used bathrooms, wet rooms
- Saunas and SPAs
- Hospital and hotel shower
- Dressing rooms and showers of fitness centers
- Bathhouses and Turkish bath open to public use

Commercial Presentation

- The product sold together with grate and case.
- The Insulation kit and fixed bottom body sold separately.

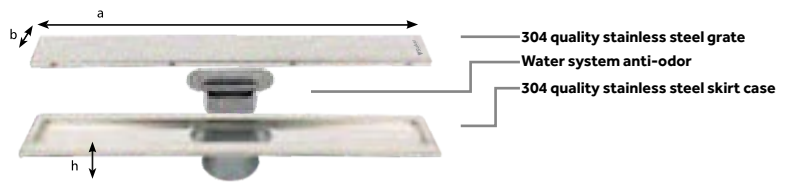
Easy Installation

- Insulation skirt integrated to the bottom body is located between insulation layers according to the insulation type.
- This application integrates drain to the insulation material.
- Height adjusted top body can be clipped from the guides to set desired height.

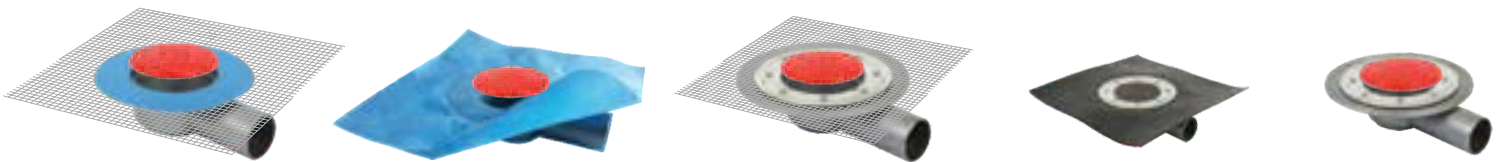


Line / 7-D

Linear Shower Drain / Compliant to all insulation types, stainless steel case and skirt, adjustable height



Replaceable Lower Body Alternatives



*Pls check page 39-40-41 for bottom bodies detail according to water insulation type .

Line / 7-D

Linear Shower Drain

Compliant to all insulation types, stainless steel case and skirt, adjustable height



LABYRINTH GRATE

Length a	Width b	Height h	Outlet Diameter	Product Code	Box Quantity
20 cm	6 cm	5,35 cm	Q50	1153-1632033-02	1
30 cm	6 cm	5,35 cm	Q50	1153-1633033-02	1
40 cm	6 cm	5,35 cm	Q50	1153-1634033-02	1
50 cm	6 cm	5,35 cm	Q50	1153-1635033-02	1
65 cm	6 cm	5,35 cm	Q50	1153-1636533-02	1
80 cm	6 cm	5,35 cm	Q50	1153-1638033-02	1



CUBE GRATE

Length a	Width b	Height h	Outlet Diameter	Product Code	Box Quantity
20 cm	6 cm	5,35 cm	Q50	1153-2412033-02	1
30 cm	6 cm	5,35 cm	Q50	1153-2413033-02	1
40 cm	6 cm	5,35 cm	Q50	1153-2414033-02	1
50 cm	6 cm	5,35 cm	Q50	1153-2415033-02	1
65 cm	6 cm	5,35 cm	Q50	1153-2416533-02	1
80 cm	6 cm	5,35 cm	Q50	1153-2418033-02	1



PLAIN GRATE

Length a	Width b	Height h	Outlet Diameter	Product Code	Box Quantity
20 cm	6 cm	5,35 cm	Q50	1153-0812033-02	1
30 cm	6 cm	5,35 cm	Q50	1153-0813033-02	1
40 cm	6 cm	5,35 cm	Q50	1153-0814033-02	1
50 cm	6 cm	5,35 cm	Q50	1153-0815033-02	1
65 cm	6 cm	5,35 cm	Q50	1153-0816533-02	1
80 cm	6 cm	5,35 cm	Q50	1153-0818033-02	1

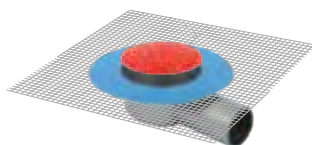


SLOT GRATE

Length a	Width b	Height h	Outlet Diameter	Product Code	Box Quantity
20 cm	6 cm	5,35 cm	Q50	1153-1322033-02	1
30 cm	6 cm	5,35 cm	Q50	1153-1323033-02	1
40 cm	6 cm	5,35 cm	Q50	1153-1324033-02	1
50 cm	6 cm	5,35 cm	Q50	1153-1325033-02	1
65 cm	6 cm	5,35 cm	Q50	1153-1326533-02	1
80 cm	6 cm	5,35 cm	Q50	1153-1328033-02	1

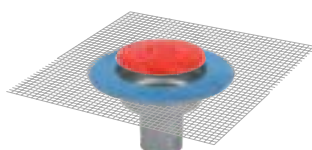
The Bottom Bodies with Textile Membrane and Self Meshed

Side outlets



Outlet Diameter	Outlet Direction	Height	Flow rate	Product Code	Box Quantity
Ø 32	side	5 cm	0,45 lt/sn	1001-2403222-11	10/50
Ø 50	side	5,5 cm	0,81 lt/sn	1001-2405022-11	10/50
Ø 70	side	9,5 cm	1,00 lt/sn	1001-2407022-11	10/27
Ø 100	side	12,5 cm	2,80 lt/sn	1001-2401022-11	10/20

Bottom outlets



Outlet Diameter	Outlet Direction	Height	Flow rate	Product Code	Box Quantity
Ø 50	muff	10 cm	1,40 lt/sn	1001-2405000-11	10/45
Ø 70	muff	8 cm	1,60 lt/sn	1001-2407000-11	10/45
Ø 50	pipe	10 cm	3,51 lt/sn	1001-2405011-11	10/30
Ø 70	pipe	8 cm	1,60 lt/sn	1001-2407011-11	10/30
Ø 100	pipe	8 cm	3,51 lt/sn	1001-2401011-11	16

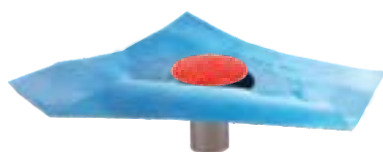
The Bottom Bodies with Textile Membrane

Side outlets



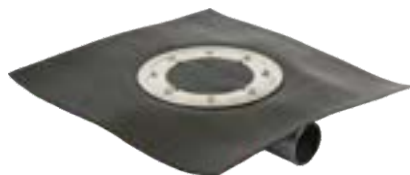
Outlet Diameter	Outlet Direction	Height	Flow rate	Product Code	Box Quantity
Ø 32	side	5 cm	0,45 lt/sn	1001-1183222-11	10/45
Ø 40	side	5,5 cm	0,60 lt/sn	1001-1184022-11	10/45
Ø 50	side	5,5 cm	0,81 lt/sn	1001-1185022-11	10/35
Ø 70	side	9,5 cm	1,00 lt/sn	1001-1187022-11	10/27
Ø 100	side	12,5 cm	2,80 lt/sn	1001-1181022-11	16

Bottom outlets



Outlet Diameter	Outlet Direction	Height	Flow rate	Product Code	Box Quantity
Ø 50	muff	10 cm	1,40 lt/sn	1001-1185000-11	10/40
Ø 70	muff	8 cm	1,60 lt/sn	1001-1187000-11	10/35
Ø 50	pipe	10 cm	3,51 lt/sn	1001-1185011-11	10/30
Ø 70	pipe	8 cm	1,60 lt/sn	1001-1187011-11	10/27
Ø 100	pipe	8 cm	3,51 lt/sn	1001-1181011-11	10/20

Bitumen Membrane Installed Bottom Bodies



Side outlets

Outlet Diameter	Outlet Direction	Height	Flow rate	Product Code	Box Quantity
Ø 50	side	5 cm	0,81 lt/sn	1011-0415022-11	10/35
Ø 70	side	9 cm	1,00 lt/sn	1011-0417022-11	10/27
Ø 100	side	12,5 cm	2,80 lt/sn	1011-0411022-11	16

Bottom outlets



Outlet Diameter	Outlet Direction	Height	Flow rate	Product Code	Box Quantity
Ø 50	muff	11 cm	1,40 lt/sn	1011-0415000-11	10/40
Ø 70	muff	11 cm	1,60 lt/sn	1011-0417000-11	10/35
Ø 100	muff	11 cm	3,51 lt/sn	1011-0411000-11	10/20
Ø 50	pipe	16 cm	1,40 lt/sn	1011-0415011-11	10/30
Ø 70	pipe	16 cm	1,60 lt/sn	1011-0417011-11	10/24
Ø 100	pipe	16 cm	3,51 lt/sn	1011-0411011-11	10/24

Bottom Bodies and Flange Rings Suitable for All Kinds of Insulation

Side outlets



Outlet Diameter	Outlet Direction	Height	Flow rate	Product Code	Box Quantity
Ø 32	side	5 cm	0,45 lt/sn	1001-0303222-11	10/45
Ø 50	side	5,5 cm	0,81 lt/sn	1001-0305022-11	10/35
Ø 70	side	9 cm	1,00 lt/sn	1001-0307022-11	10/27
Ø 100	side	12,5 cm	2,80 lt/sn	1001-0301022-11	16

Bottom outlets



Outlet Diameter	Outlet Direction	Height	Flow rate	Product Code	Box Quantity
Ø 50	muff	11 cm	1,40 lt/sn	1001-0305000-11	10/40
Ø 70	muff	11 cm	1,60 lt/sn	1001-0307000-11	10/35
Ø 100	muff	11 cm	3,51 lt/sn	1001-0301000-11	10/35
Ø 50	pipe	16 cm	1,40 lt/sn	1001-0305011-11	10/30
Ø 70	pipe	16 cm	1,60 lt/sn	1001-0307011-11	10/30
Ø 100	pipe	16 cm	3,51 lt/sn	1001-0301011-11	10/25

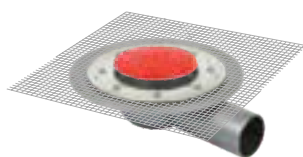
Flange Rings



Diameter	Characteristic	Product Code	Box Quantity
Ø 100	Stainless steel (oring+screw)	2143-0761099-01	10/50
Ø 100	Plastic (oring+screw)	2143-0761099-11	10/50

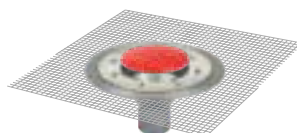
Meshed Installation Bottom Bodies

Stainless Steel Flanged Side Outlets



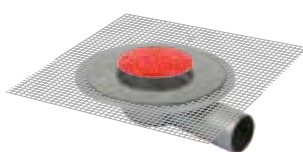
Outlet Diameter	Outlet Direction	Height	Flow rate	Product Code	Box Quantity
Ø 32	side	5 cm	0,45 lt/sn	1001-0373222-11	10/50
Ø 50	side	5,5 cm	0,81 lt/sn	1001-0375022-11	10/45
Ø 70	side	9,5 cm	1,00 lt/sn	1001-0377022-11	10/27
Ø 100	side	12,5 cm	2,80 lt/sn	1001-0371022-11	16

Stainless Steel Flanged Bottom Outlets



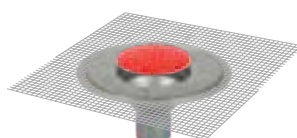
Outlet Diameter	Outlet Direction	Height	Flow rate	Product Code	Box Quantity
Ø 50	muff	11 cm	1,40 lt/sn	1001-0375000-11	10/45
Ø 70	muff	11 cm	1,60 lt/sn	1001-0377000-11	10/30
Ø 100	muff	11 cm	3,51 lt/sn	1001-0371000-11	10/24
Ø 50	pipe	16 cm	1,40 lt/sn	1001-0375011-11	10/30
Ø 70	pipe	16 cm	1,60 lt/sn	1001-0377011-11	10/27
Ø 100	pipe	16 cm	3,51 lt/sn	1001-0371011-11	10/20

Plastic Flanged Side Outlets

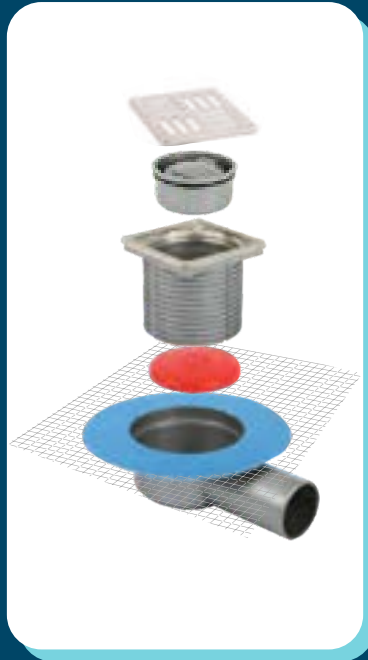


Outlet Diameter	Outlet Direction	Height	Flow rate	Product Code	Box Quantity
Ø 32	side	5 cm	0,45 lt/sn	1001-1343222-11	10/50
Ø 50	side	5,5 cm	0,81 lt/sn	1001-1345022-11	10/45
Ø 70	side	9,5 cm	1,00 lt/sn	1001-1347022-11	10/27
Ø 100	side	12,5 cm	2,80 lt/sn	1001-1341022-11	16

Plastic Flanged Bottom Outlets



Outlet Diameter	Outlet Direction	Height	Flow rate	Product Code	Box Quantity
Ø 50	muff	11 cm	1,40 lt/sn	1001-1345000-11	10/40
Ø 70	muff	11 cm	1,60 lt/sn	1001-1347000-11	10/30
Ø 100	muff	11 cm	3,51 lt/sn	1001-1341000-11	10/24
Ø 50	pipe	16 cm	1,40 lt/sn	1001-1345011-11	10/30
Ø 70	pipe	16 cm	1,60 lt/sn	1001-1347011-11	10/27
Ø 100	pipe	16 cm	3,51 lt/sn	1001-1341011-11	10/20



Line / 5

Drain Sets / Liquid insulation bridged, height adjustable, set screw, Professional drain set.

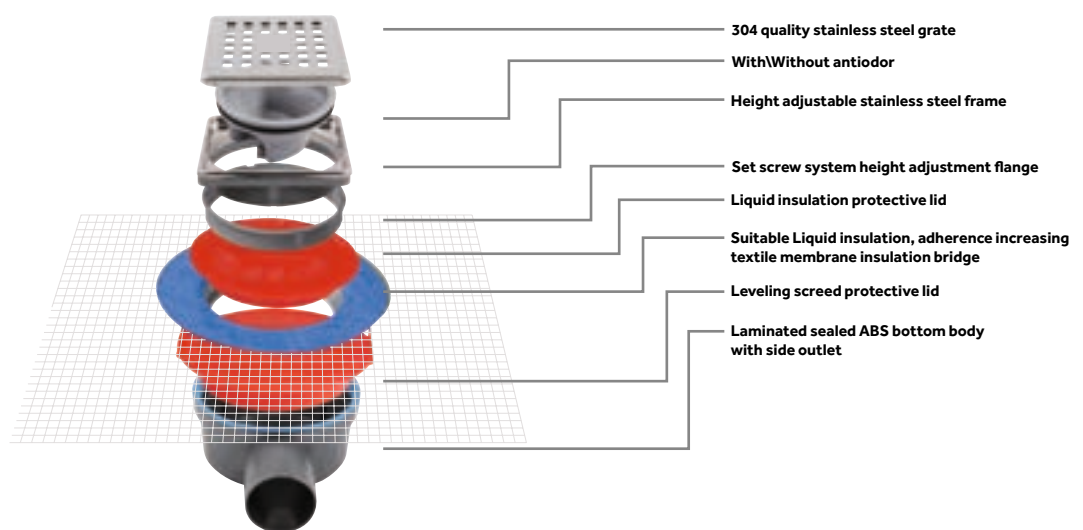
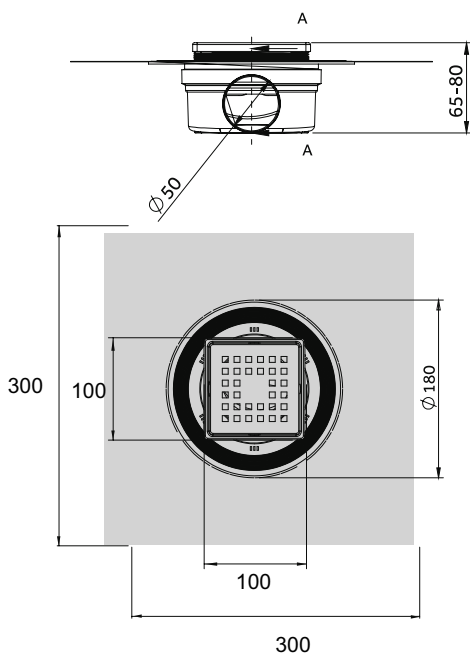


Thanks to the set screw flange rings, precise height adjustment is made without cutting and the system becomes a two-tier draining system.

Application Video



New Generation Drain of the World



Line / 5

Advantages

- %100 compliant with all liquid insulation materials thanks to its integrated meshed skirt on the insulation bridge .
- Meshed skirt provides a more flexible connection with the insulation and is not affected by building movements.
- Thanks to meshed membrane increases adherence of the insulation.
- Thanks to screwed height adjustment flange and screwed direction adjustment drain head, it can be applied up to 3 cm height.
- 304 quality stainless steel grates and frames.
- It has Sukar's patented with\without water anti-odor. This helps protection against odors and bugs while there's no water in the system.
- Insulation bridge helps integrate into wall insulation in baseboard applications.

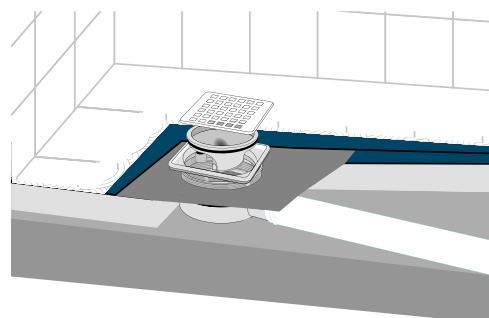
Areas of Use

It can be used for tilted surfaces requiring high height adjustment and expert application where liquid water insulation is applied;

- Ideal for wet rooms
- It is recommended for all wet surfaces where liquid water insulation is applied, including terraces and outdoors,
- It is easy to clean for densely used areas with waste trapping grate.

Easy Installation

- Protective lid protects bottom body and meshed skirt while the leveling screed is cast.
- Meshed insulation bridge is placed between liquid water insulation layers during insulation application.
- An additional protective lid is added to protect the system during insulation application. Thus system is protected until ceramic tiles are laid and installation errors are minimized.
- This also provides flexibility in application timing.
- Set screw height adjustment system enables adjusting the direction and height of ceramic for 1 to 3 cm.



Commercial Presentation

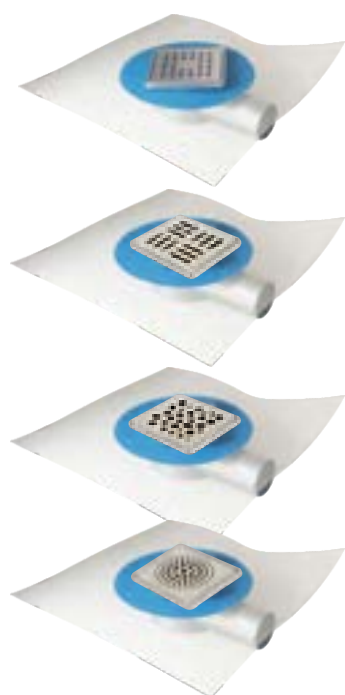
Product Insulation Kit, Anti odor with and without water , Set screw flange ring, stainless steel frame and grate are sold together.

Boxed presentation

Box contains; Insulation kit, set screw system height adjustment flange, stainless steel frame, with\without water anti-odor and 304 quality stainless steel grate. Detailed installation guide is included.



Standart Production Size 10 x 10 cm Stainless Steel Framed Models



Line 5 Professional Series 10x10 Stainless Steel Frame Drains

Grate Dimensions	Adjustable Flange Height	Outlet Direction	Outlet Diameter	Grate Models	Product Code	Box Quantity
10x10 cm	From 1 cm to 3 cm	side	Ø 50	Stainless Steel Square Model Grate	1157-0381023-11	1
10x10 cm	From 1 cm to 3 cm	side	Ø 50	Stainless Steel Line Model Grate	1157-0381123-11	1
10x10 cm	From 1 cm to 3 cm	side	Ø 50	Stainless Steel Pebble Model Grate	1157-0381223-11	1
10x10 cm	From 1 cm to 3 cm	side	Ø 50	Stainless Steel Sun Model Grate	1157-0381323-11	1

10x10 Plastic Frame Models



Line 5 Professional Series 10x10 Plastic Framed Drains

Grate Dimensions	Adjustable Flange Height	Outlet Direction	Outlet Diameter	Grate Models	Product Code	Box Quantity
10x10 cm	From 1 cm to 3 cm	side	Ø 50	Stainless Steel Square Model Grate	1158-0381023-11	1
10x10 cm	From 1 cm to 3 cm	side	Ø 50	Stainless Steel Line Model Grate	1158-0381123-11	1
10x10 cm	From 1 cm to 3 cm	side	Ø 50	Stainless Steel Pebble Model Grate	1158-0381223-11	1
10x10 cm	From 1 cm to 3 cm	side	Ø 50	Stainless Steel Sun Model Grate	1158-0381323-11	1

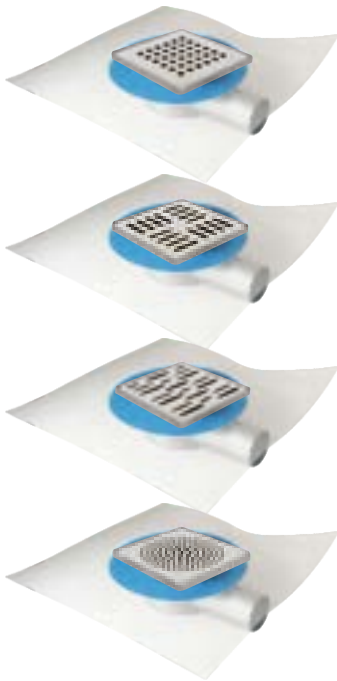
15x15 Steel Frame Models



Line 5 Professional Series 15x15 Steel Framed Drains

Grate Dimensions	Adjustable Flange Height	Outlet Direction	Outlet Diameter	Grate Models	Product Code	Box Quantity
15x15 cm	From 1 cm to 3 cm	side	Ø 50	Stainless Steel Square Model Grate	1157-0381523-11	1
15x15 cm	From 1 cm to 3 cm	side	Ø 50	Stainless Steel Line Model Grate	1157-0381623-11	1
15x15 cm	From 1 cm to 3 cm	side	Ø 50	Stainless Steel Rain Model Grate	1157-0381723-11	1
15x15 cm	From 1 cm to 3 cm	side	Ø 50	Stainless Steel Sun Model Grate	1157-0381823-11	1

15x15 Plastic Frame Models



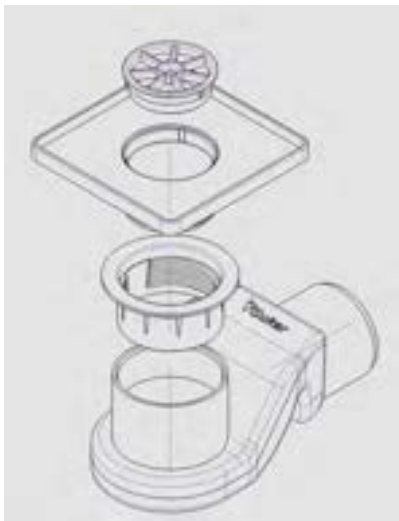
Line 5 Professional Series 15x15 Plastic Framed Drains

Grate Dimensions	Adjustable Flange Height	Outlet Direction	Outlet Diameter	Grate Models	Product Code	Box Quantity
15x15 cm	From 1 cm to 3 cm	side	Ø 50	Stainless Steel Square Model Grate	1158-0381523-11	1
15x15 cm	From 1 cm to 3 cm	side	Ø 50	Stainless Steel Line Model Grate	1158-0381623-11	1
15x15 cm	From 1 cm to 3 cm	side	Ø 50	Stainless Steel Rain Model Grate	1158-0381723-11	1
15x15 cm	From 1 cm to 3 cm	side	Ø 50	Stainless Steel Sun Model Grate	1158-0381823-11	1

TWISTY

Modular Height Adjustable Floor Drain

**TWIST IT, ADJUST IT,
COMPLETE SETUP EASILY**



PEBBLE GRATE MODEL

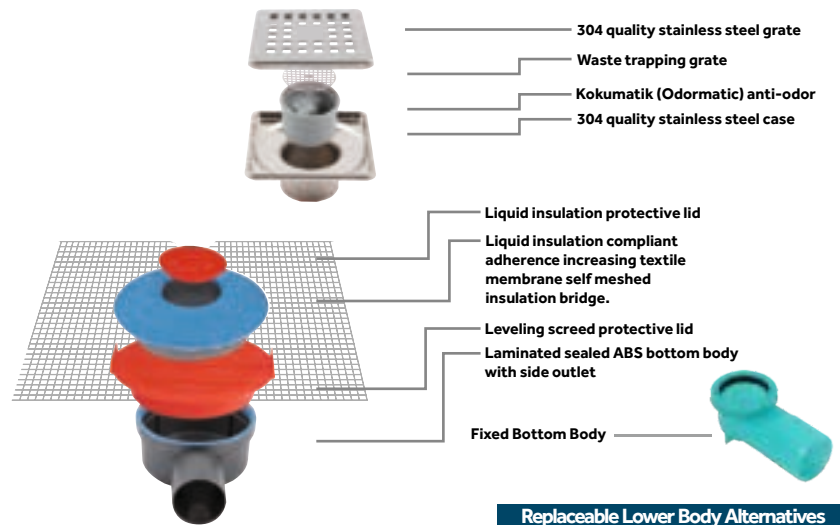
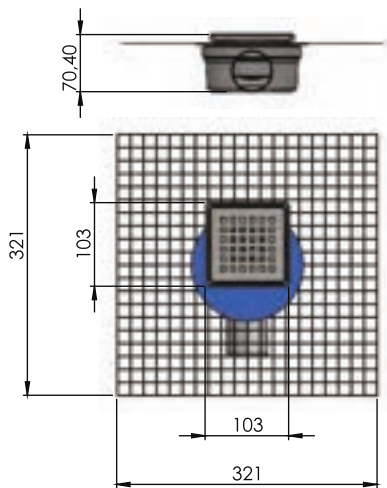
Grate Dimensions	Outlet Diameter	Product Code	Box Quantity
8x8 cm	Ø32	1041-0593222-09	80
8x8 cm	Ø50	1041-0595022-09	50
10x10 cm	Ø32	1041-0573222-09	80
10x10 cm	Ø50	1041-0575022-09	50

SQUARE GRATE MODEL

Grate Dimensions	Outlet Diameter	Product Code	Box Quantity
10x10 cm	Ø32	1041-0573222-11	80
10x10 cm	Ø50	1041-0575022-11	50

Line / 9

Drain Sets / Liquid insulation bridged, stainless steel grate, practical drain set



Replaceable Lower Body Alternatives



*Pls check page 114-115 for bottom bodies according to application height and direction .

Standard Production Size

Advantages

- Stainless steel case provides stylish looks. Due to thin case it can be used in any baseboard application, not only in showers.
- 100% compliant with all liquid water insulation materials thanks to its integrated meshed skirt on the insulation bridge and textile layer.
- Bottom body has laminated sealed and is with water anti-odor.
- Textile layer increases adherence of the insulation.
- It has anti-odor Kokumatik (Odormatic) system and has two-tier draining.
- It also has different outlet models.

Areas of Use

It can be used in any areas where liquid insulation is applied and in any building baseboard or public use applications are planned;

- Wet rooms where baseboard application will be made
- Bathroom Showers
- Saunas and SPAs
- Hospital and hotel shower
- Dressing rooms and showers of fitness centers
- Bathhouses and Turkish bath open to public use
- It is easy to clean for densely used areas with waste trapping drain.

Commercial Presentation

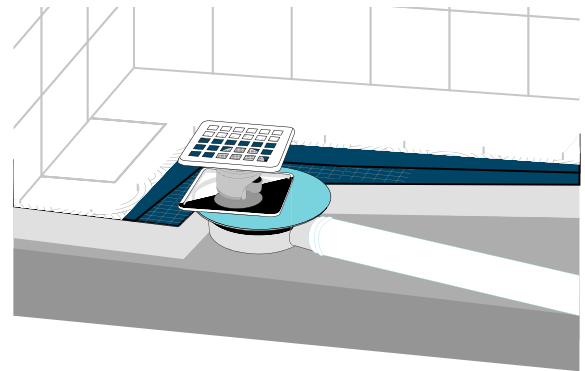
Drain Set Contains; Stainless Steel Case and grate, Odormatic Anti odor and waste trap.

The Insulation kit or fixed bottom body sold separately according to Insulation type.

Insulation kit and fixed bottom body is one type.

Easy Installation

- Protective lid protects bottom body and meshed skirt while the leveling screed is cast.
- Meshed top body acting as an insulation bridge is placed between insulation layers providing integration of the drain with liquid insulation layers.
- An additional protective lid is added to protect the system during insulation application. Thus system is protected until ceramic tiles are laid and installation errors are minimized.
- In addition, It provides practical and flexible solution in application timing.



BIG "S" INSULATION KIT

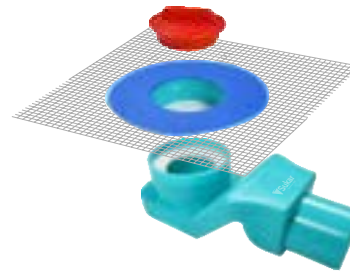
Outlet Diameter	Product Code	Box Quantity
Ø50	1002-0385023-13	70



INSULATION KIT

Outlet Diameter	Product Code
Q50	1002-0385023-11

*Pls use Insulation kit where will be made application of insulation.



NEW INSULATION KIT

Outlet Diameter	Product Code	Box Quantity
Q50	1002-0385023-12	1



FIXED BOTTOM BODY

Outlet Diameter	Product Code
Q50	1001-2605022-11

*You can use fixed bottom body where you don't apply insulation.

10x10 Stainless Steel Frame Grate Drains



Grate Dimensions	Height	Outlet Direction	Outlet Diameter	Grate Models	Product Code	Box Quantity
10x10 cm	1 cm	bottom	Ø 50	Line Model Complete Stainless Steel Case	1153-0011099-01	20
10x10 cm	1 cm	bottom	Ø 50	Square Model Complete Stainless Steel Case	1153-0031099-01	20

Line / 9



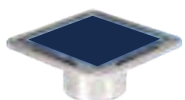
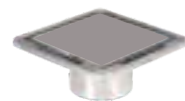
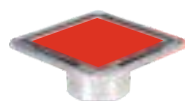
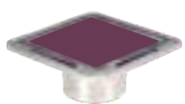
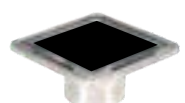
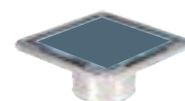
Grate Dimensions	Height	Outlet Direction	Outlet Diameter	Grate Models	Product Code	Box Quantity
10x10 cm	1 cm	bottom	Ø 50	Sun Model Complete Stainless Steel Case	1153-0061099-01	20
10x10 cm	1 cm	bottom	Ø 50	Pebble Model Complete Stainless Steel Case	1153-0411099-01	20

15x15 Stainless Steel Frame Grate Drains



Grate Dimensions	Height	Outlet Direction	Outlet Diameter	Grate Models	Product Code	Box Quantity
15x15 cm	1 cm	bottom	Ø 50	Line Model Complete Stainless Steel Case	1153-0011599-01	20
15x15 cm	1 cm	bottom	Ø 50	Square Model Complete Stainless Steel Case	1153-0031599-01	20
15x15 cm	1 cm	bottom	Ø 50	Sun Model Complete Stainless Steel Case	1153-0061599-01	20
15x15 cm	1 cm	bottom	Ø 50	Rain Model Complete Stainless Steel Case	1153-1471599-01	20

10x10 Stainless Steel Frame Grate with Glass Grate Drain



Grate Dimensions	Height	Outlet Direction	Outlet Diameter	Grate Models	Product Code	Box Quantity
10x10 cm	1 cm	bottom	Ø 50	Complete Stainless Steel Case With White Glass Grate	1153-0291099-21	20
10x10 cm	1 cm	bottom	Ø 50	Complete Stainless Steel Case With Blue Glass Grate	1153-0291099-22	20
10x10 cm	1 cm	bottom	Ø 50	Complete Stainless Steel Case With Black Glass Grate	1153-0291099-31	20
10x10 cm	1 cm	bottom	Ø 50	Complete Stainless Steel Case With Purple Glass Grate	1153-0291099-32	20
10x10 cm	1 cm	bottom	Ø 50	Complete Stainless Steel Case With Red Glass Grate	1153-0291099-41	20
10x10 cm	1 cm	bottom	Ø 50	Complete Stainless Steel Case With Mink Glass Grate	1153-0291099-42	20
10x10 cm	1 cm	bottom	Ø 50	Complete Stainless Steel Case With Cream Glass Grate	1153-0291099-61	20
10x10 cm	1 cm	bottom	Ø 50	Complete Stainless Steel Case With Navy Blue Glass Grate	1153-0291099-91	20

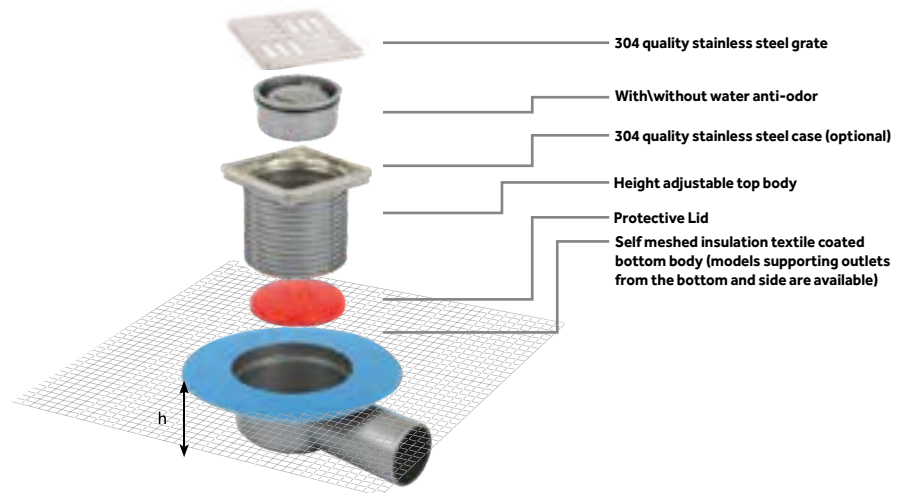
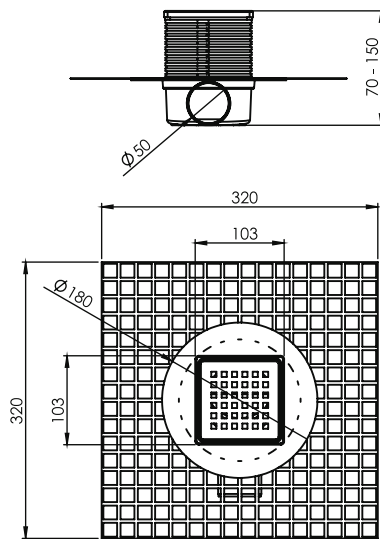


Sukar
"Flows Better"



Line / 10

Drain Sets / Liquid insulation compliant, two-tier draining, height and direction adjustable



Advantages

- 100% compliant with all liquid water insulation materials thanks to its integrated meshed skirt on bottom body and laminated textile layer.
- Height of upper body is adjustable from 1 cm to 9 cm height.
- Extension apparatus enables unlimited extension.
- 304 quality stainless and plastic frames.
- It has Sukar's patented with\without water anti-odor. This helps protection against odors and bugs while there's no water in the system.
- It has two-tier draining.

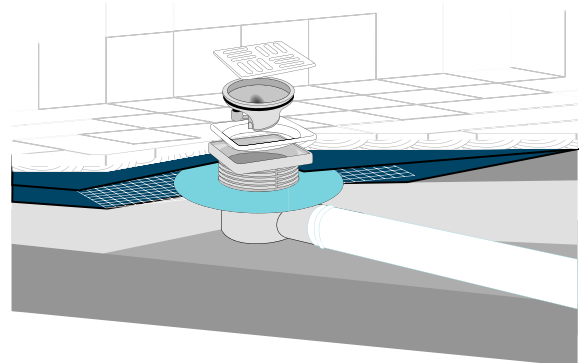
Easy Installation

- Bottom body can be directed towards plumbing providing easy installation. Meshed insulation skirt integrated to the top body is located between the liquid insulation layers applied over the leveling screeds.
- This provides integration of the drain to the insulation material.
- Height adjusted top body can be clipped from the guides to set desired height of grate between 1 and 9 cm. Further extension possible through additional apparatus.

Areas of Use

It can be used in any location where liquid water insulation is applied; where thick floor cover such as marble is to be applied or all wet surfaces where heat insulation will be applied;

- Wet areas such as bathrooms, kitchens, balconies and terraces,
- Restaurants, mess halls and industrial sites
- Terminals, airports and such public places
- Dressing rooms, bathhouses
- Service areas of hospitals and hotels



Commercial Presentation

304 quality stainless steel grate, with\without water anti-odor, 304 quality stainless steel frame(optional), height adjustable top body, protective lid, self meshed insulation textile coated bottom body are sold as a set.

Application Video



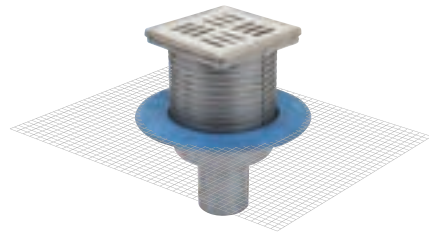
Standard Production Size

10x10 cm Steel Framed Models



10x10 Stainless Steel Framed Side Outlet

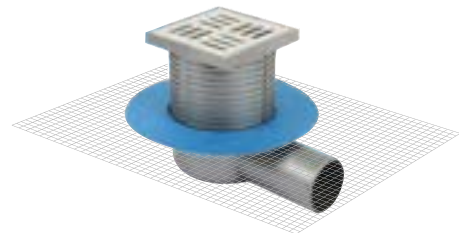
Grate Dimensions	Height h	Outlet Diameter	Product Code	Box Quantity
10x10 cm	From 5,5cm to 14,5 cm	Ø 32	4032-10-1	10
10x10 cm	From 5,5cm to 14,5 cm	Ø 50	4050-10-1	10
10x10 cm	From 9,5cm to 18,5 cm	Ø 70	4070-10-1	10
10x10 cm	From 12,5cm to 21,5 cm	Ø 100	4100-10-1	10



10x10 Stainless Steel Framed Bottom Outlet

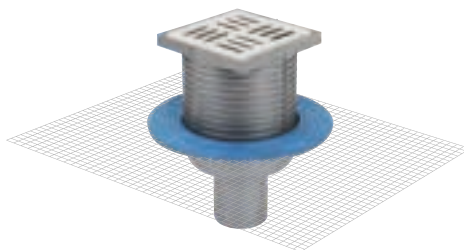
Grate Dimensions	Height h	Outlet Diameter	Product Code	Box Quantity
10x10 cm	From 10 cm to 19 cm	Ø 50	5050-10-1	10
10x10 cm	From 8 cm to 17 cm	Ø 70	5070-10-1	10
10x10 cm	From 8 cm to 17 cm	Ø 100	5011-10-1	10

10x10 cm Plastic Framed Models



10x10 Plastic Framed Side Outlet

Grate Dimensions	Height h	Outlet Diameter	Product Code	Box Quantity
10x10 cm	From 5,5cm to 14,5 cm	Ø 32	4032-10	10
10x10 cm	From 5,5cm to 14,5 cm	Ø 50	4050-10	10
10x10 cm	From 9,5cm to 18,5 cm	Ø 70	4070-10	10
10x10 cm	From 12,5cm to 21,5 cm	Ø 100	4100-10	10

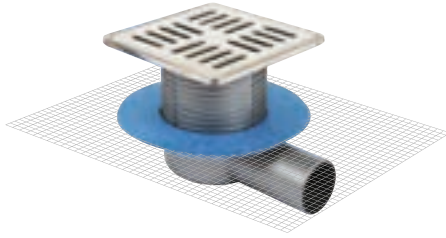


10x10 Plastic Framed Bottom Outlet

Grate Dimensions	Height h	Outlet Diameter	Product Code	Box Quantity
10x10 cm	From 10 cm to 19 cm	Ø 50	5050-10	10
10x10 cm	From 8 cm to 17 cm	Ø 70	5070-10	10
10x10 cm	From 8 cm to 17 cm	Ø 100	5011-10	10

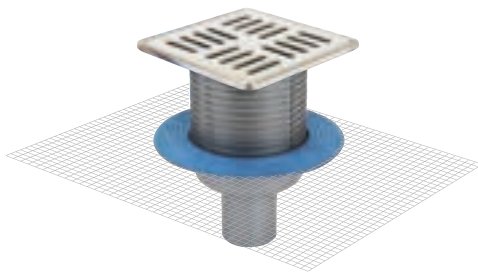
Standard Production Size

15x15cm Steel Framed Models



15x15 Stainless Steel Framed Side Outlet

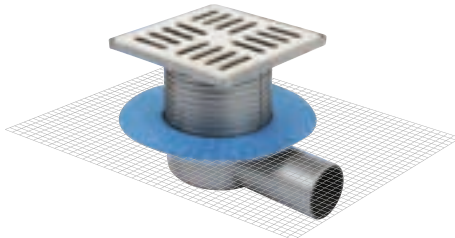
Grate Dimensions	Height h	Outlet Diameter	Product Code	Box Quantity
15x15 cm	From 5,5cm to 14,5 cm	Ø 50	4050-15-1	10
15x15 cm	From 9,5cm to 18,5 cm	Ø 70	4070-15-1	10
15x15 cm	From 12,5cm to 21,5 cm	Ø 100	4100-15-1	10



15x15 Stainless Steel Framed Bottom Outlet

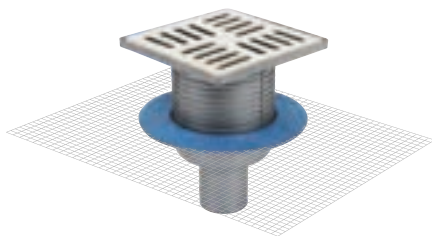
Grate Dimensions	Height h	Outlet Diameter	Product Code	Box Quantity
15x15 cm	From 10 cm to 19 cm	Ø 50	5050-15-1	10
15x15 cm	From 8 cm to 17 cm	Ø 70	5070-15-1	10
15x15 cm	From 8 cm to 17 cm	Ø 100	5011-15-1	10

15x15 cm Plastic Framed Models



15x15 Plastic Framed Side Outlet

Grate Dimensions	Height h	Outlet Diameter	Product Code	Box Quantity
15x15 cm	From 5,5cm to 14,5 cm	Ø 50	4050-15	10
15x15 cm	From 9,5cm to 18,5 cm	Ø 70	4070-15	10
15x15 cm	From 12,5cm to 21,5 cm	Ø 100	4100-15	10

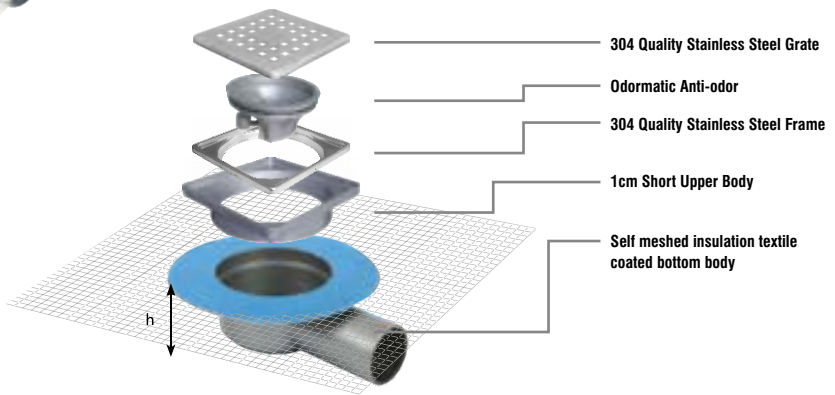
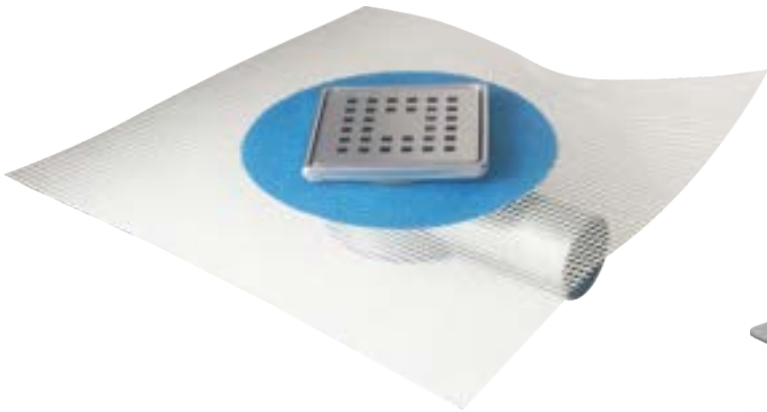


15x15 Plastic Framed Bottom Outlet

Grate Dimensions	Height h	Outlet Diameter	Product Code	Box Quantity
15x15 cm	From 10 cm to 19 cm	Ø 50	5050-15	10
15x15 cm	From 8 cm to 17 cm	Ø 70	5070-15	10
15x15 cm	From 8 cm to 17 cm	Ø 100	5011-15	10

Line / 10 / 1

Drain Sets / Liquid insulation compliant Drain Set



Advantages

- 100% compliant with all liquid water insulation materials thanks to its integrated meshed skirt on bottom body and laminated textile layer.
- It has 304 quality stainless steel frame.
- It has Sukar's patented with/without water anti-odor. This helps protection against odors and bugs while there's no water in the system.
- It has two-tier draining.

Areas of Use

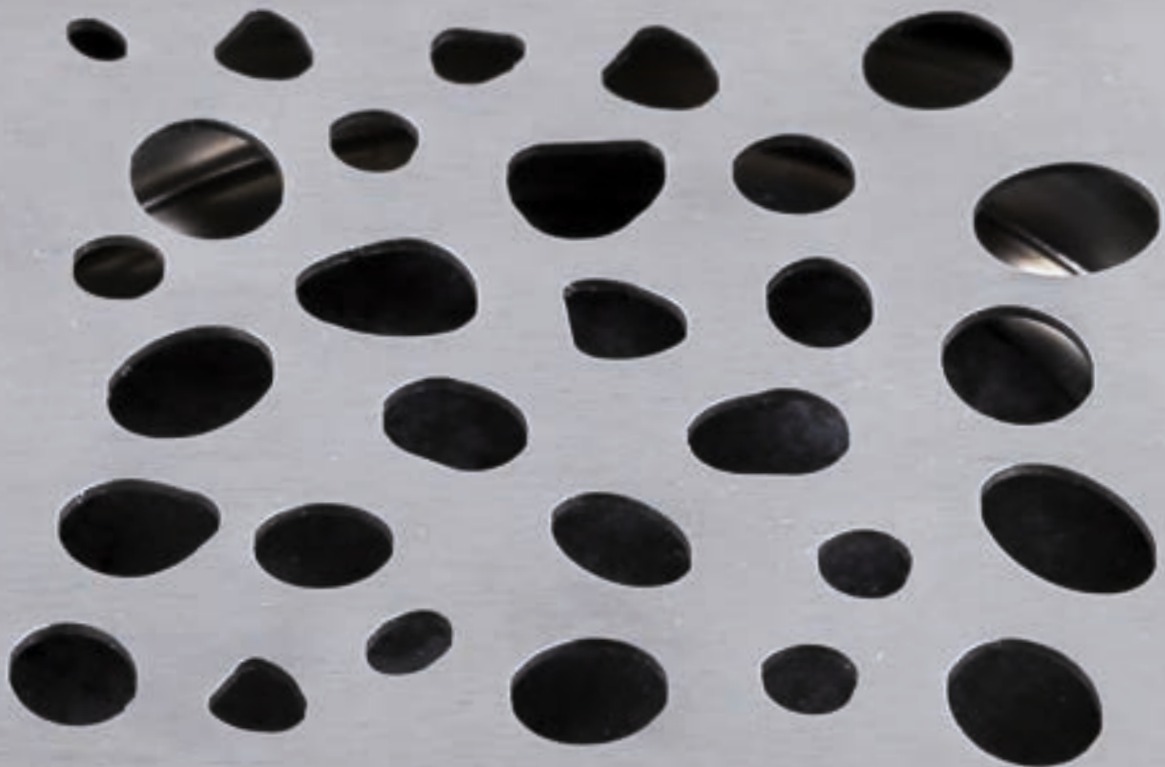
- It can be used in any location where liquid water insulation is applied; where thick floor cover such as marble is to be applied or all wet surfaces where heat insulation will be applied;
- Wet areas such as bathrooms, kitchens, balconies and terraces,
- Restaurants, mess halls and industrial sites
- Terminals, airports and such public places
- Dressing rooms, bathhouses
- Service areas of hospitals and hotels

Standard Production Dimensions 10x10 cm Steel Framed Models



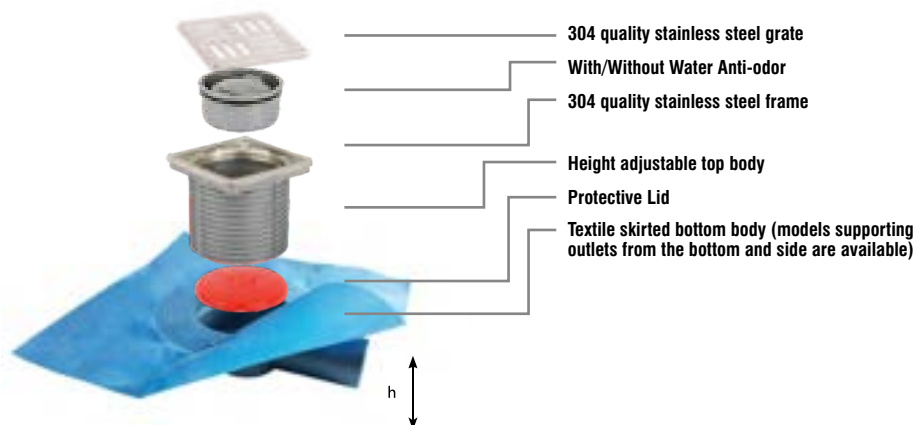
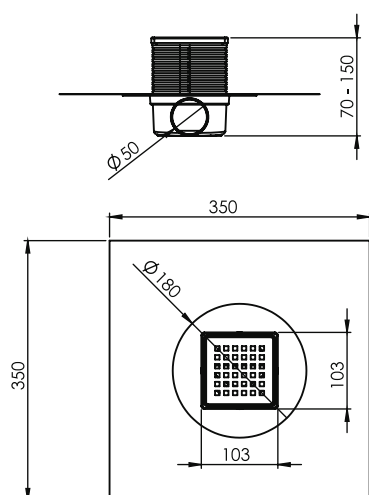
10x10 Stainless Steel Framed Side Outlet

Grate Dimensions	Height h	Outlet Diameter	Product Code	Box Quantity
10x10 cm	From 5,5 cm to 6,5 cm	Ø50	Line / 10 / 1	10



Line / 11

Textile Membrane Drain Set / Liquid insulation compliant, With/Without Water Anti-odor, Textile Membrane Skirt two-tier draining, height and direction adjustable.



Advantages

- 100% compliant with all liquid water insulation materials thanks to its textile membrane skirt on bottom body and textile layer.
- Textile membraneskirt provides a more flexible connection with the insulation and is not affected by building movements.
- Upper case is adjustable from 1 cm to 9 cm height. Extension apparatus enables unlimited extension.
- 304 quality stainless steel grates and frames.
- It has Sukar's patented without water anti-odor Kokumatik (Odormatic). This helps protection against odors and bugs while there's no water in the system.

Areas Of Use

It can be used in any location where liquid water insulation is applied; where thick floor cover such as marble is to be applied or all wet surfaces where heat insulation will be applied;

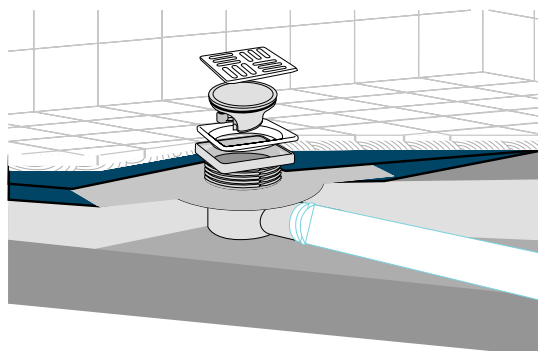
- Wet areas such as bathrooms, kitchens, balconies and terraces,
- Restaurants, mess halls and industrial sites,
- Terminals, airports and such public places,
- Dressing rooms, bathhouses,
- Service areas of hospitals and hotels.

Commercial Presentation

304 quality stainless steel grate, With/Without water anti-odor, 304 quality stainless steel frame (optional), Height adjustable top body, protective lid, Textile membrane skirted bottom body are sold as a set.

Easy Installation

- Bottom body can be directed towards plumbing providing easy installation.
- Textile membrane insulation skirt integrated to the top body is located between the liquid insulation layers applied over the leveling screeds. This provides integration of the grate to the insulation material.
- Height adjusted top body can be clipped from the guides to set desired height between 1 and 9 cm. If desired the apparatus can be extended.



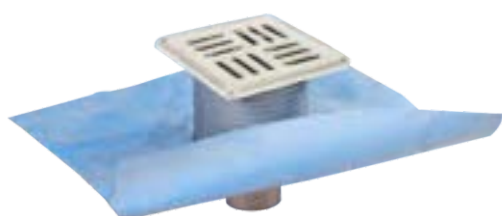
Standard Production Size

10x10 cm Steel Framed Models



10x10 Stainless Steel Framed Side Outlet

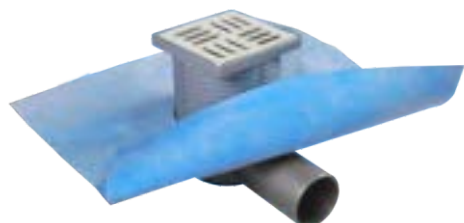
Grate Dimensions	Height h	Outlet Diameter	Product Code	Box Quantity
10x10 cm	From 5cm to 14,5 cm	Ø 32	1832-10-1	10
10x10 cm	From 5,5cm to 14,5 cm	Ø50	1850-10-1	10
10x10 cm	From 9,5cm to 18,5 cm	Ø70	1870-10-1	10
10x10 cm	From 12,5cm to 21,5 cm	Ø 100	1810-10-1	10



10x10 Stainless Steel Framed Bottom Outlet

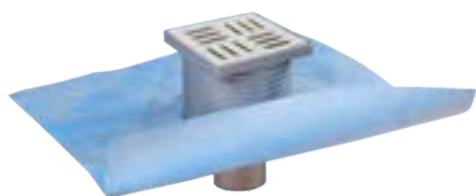
Grate Dimensions	Height h	Outlet Diameter	Product Code	Box Quantity
10x10 cm	From 10 cm to 19 cm	Ø 50	1950-10-1	10
10x10 cm	From 8 cm to 17 cm	Ø 70	1970-10-1	10
10x10 cm	From 8 cm to 17 cm	Ø 100	1911-10-1	10

10x10 cm Plastic Framed Models



10x10 Plastic Framed Side Outlet

Grate Dimensions	Height h	Outlet Diameter	Product Code	Box Quantity
10x10 cm	From 5cm to 14,5 cm	Ø 32	1832-10	10
10x10 cm	From 5,5cm to 14,5 cm	Ø 50	1850-10	10
10x10 cm	From 9,5cm to 18,5 cm	Ø 70	1870-10	10
10x10 cm	From 12,5cm to 21,5 cm	Ø 100	1810-10	10

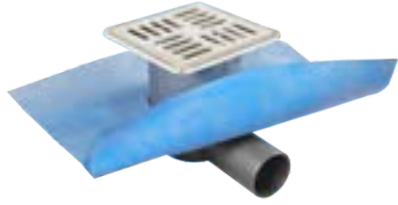


10x10 Plastic Framed Bottom Outlet

Grate Dimensions	Height h	Outlet Diameter	Product Code	Box Quantity
10x10 cm	From 10 cm to 19 cm	Ø 50	1950-10	10
10x10 cm	From 8 cm to 17 cm	Ø 70	1970-10	10
10x10 cm	From 8 cm to 17 cm	Ø 100	1911-10	10

Standard Production Size

15x15cm Steel Framed Models



15x15 Stainless Framed Side Outlet

Grate Dimensions	Height h	Outlet Diameter	Product Code	Box Quantity
15x15 cm	From 5,5cm to 14,5 cm	Ø 50	1850-15-1	10
15x15 cm	From 9,5cm to 18,5 cm	Ø70	1870-15-1	10
15x15 cm	From 12,5cm to 21,5 cm	Ø100	1810-15-1	10



15x15 Stainless Framed Bottom Outlet

Grate Dimensions	Height h	Outlet Diameter	Product Code	Box Quantity
15x15 cm	From 10 cm to 19 cm	Ø 50	1950-15-1	10
15x15 cm	From 8 cm to 17 cm	Ø 70	1970-15-1	10
15x15 cm	From 8 cm to 17 cm	Ø 100	1911-15-1	10

15x15 cm Plastic Framed Models



15x15 Plastic Framed Side Outlet

Grate Dimensions	Height h	Outlet Diameter	Product Code	Box Quantity
15x15 cm	From 5,5cm to 14,5 cm	Ø 50	1850-15	10
15x15 cm	From 9,5cm to 18,5 cm	Ø 70	1870-15	10
15x15 cm	From 12,5cm to 21,5 cm	Ø 100	1810-15	10



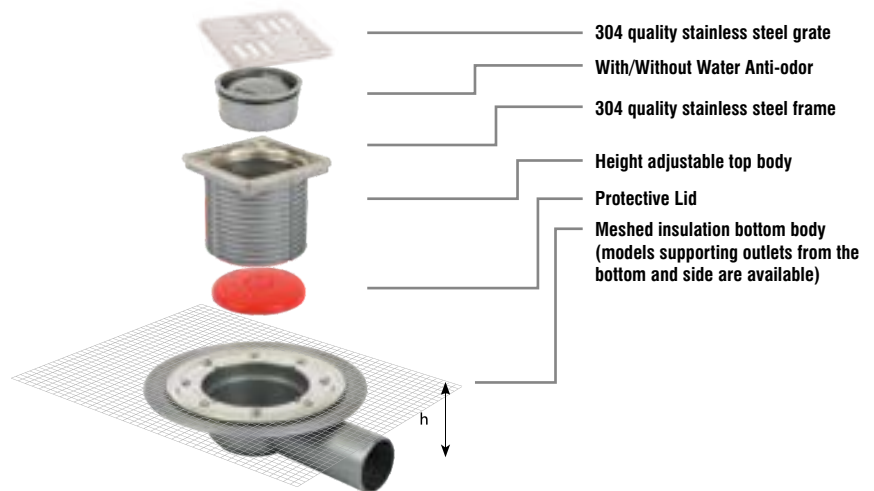
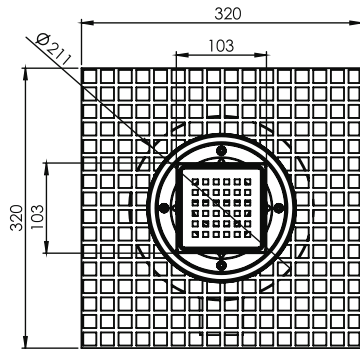
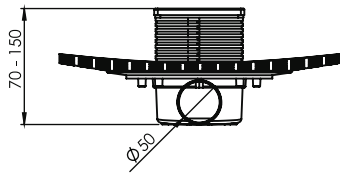
15x15 Plastic Framed Bottom Outlet

Grate Dimensions	Height h	Outlet Diameter	Product Code	Box Quantity
15x15 cm	From 10 cm to 19 cm	Ø 50	1950-15	10
15x15 cm	From 8 cm to 17 cm	Ø 70	1970-15	10
15x15 cm	From 8 cm to 17 cm	Ø 100	1911-15	10



Line / 12

Drain Set / Liquid insulation compliant, meshed installation, two-tier draining, height and direction adjustable



Advantages

- 100% compliant with all liquid water insulation materials thanks to its system that locks preferred insulation material to the bottom body with its gasket and steel flange.
- Upper case is adjustable from 1 cm to 9 cm height which provides easy installation.
- 304 quality stainless steel grates and frames.
- It has Sukar's patented without water anti-odor Kokumatik (Odormatic). This helps protection against odors and bugs while there's no water in the system.
- It has two-tier draining.

Areas Of Use

It can be used in any location where liquid insulation is applied; where thick floor cover such as marble is to be applied or all wet surfaces where heat insulation will be applied;

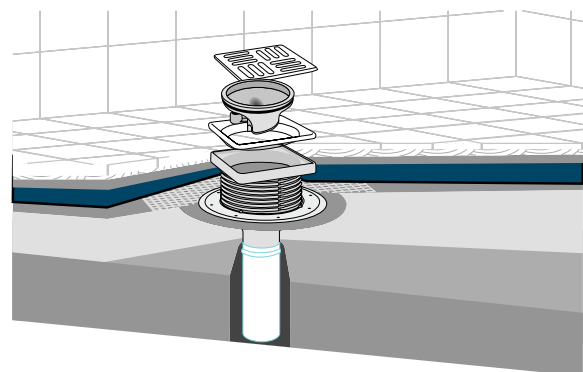
- Terraces with heat insulation,
- Marble or high tile used bathrooms,
- Saunas and SPAs,
- Hospital and hotel shower,
- Dressing rooms and showers of fitness centers,
- Bathhouses and Turkish bath open to public use.

Commercial Presentation

304 quality stainless steel grate, With/Without water anti-odor 304 quality stainless steel frame (optional), Height adjustable top body, protective lid, mesh installed and stainless steel flanged bottom body are sold as a set.

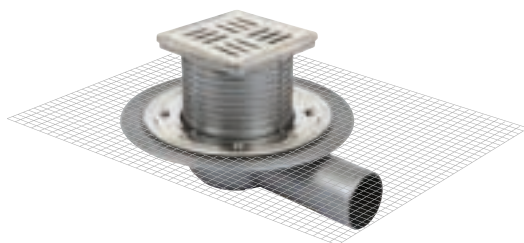
Easy Installation

- Mesh installed bottom body can be directed and connected to installation.
- Meshed skirt of the mesh installed bottom body is located between the insulation layers applied over the leveling screeds. This provides integration of the drain to the insulation material.
- Height adjusted top body can be clipped from the guides to set desired height of grate between 1 and 9 cm. Further extension possible through additional apparatus.



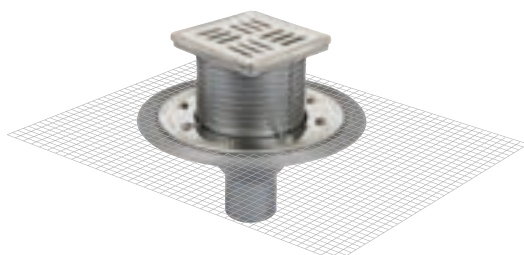
Standard Production Size

10x10 cm Steel Framed Models



10x10 Stainless Steel Framed Side Outlet

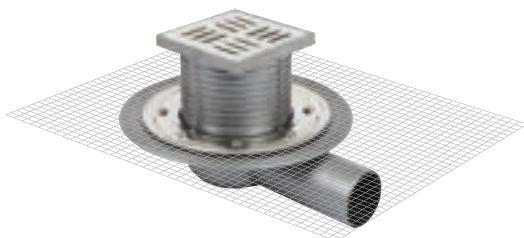
Grate Dimensions	Height h	Outlet Diameter	Product Code	Box Quantity
10x10 cm	From 5cm to 14,5 cm	Ø 32	2032-10-1	10
10x10 cm	From 5,5cm to 14,5 cm	Ø 50	2050-10-1	10
10x10 cm	From 9,5cm to 18,5 cm	Ø 70	2070-10-1	10
10x10 cm	From 12,5cm to 21,5 cm	Ø 100	2100-10-1	10



10x10 Stainless Steel Framed Bottom Outlet

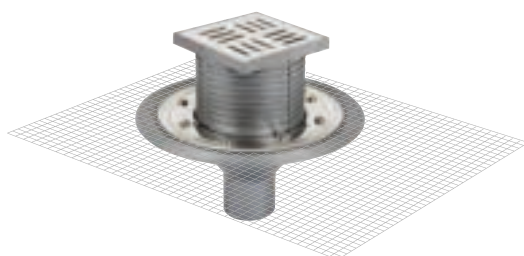
Grate Dimensions	Height h	Outlet Diameter	Product Code	Box Quantity
10x10 cm	From 11 cm to 20 cm	Ø 50	3050-10-1	10
10x10 cm	From 11 cm to 20 cm	Ø 70	3070-10-1	10
10x10 cm	From 11 cm to 20 cm	Ø 100	3100-10-1	10

10x10 cm Plastic Framed Models



10x10 Plastic Framed Side Outlet

Grate Dimensions	Height h	Outlet Diameter	Product Code	Box Quantity
10x10 cm	From 5cm to 14,5 cm	Ø 32	2032-10	10
10x10 cm	From 5,5cm to 14,5 cm	Ø 50	2050-10	10
10x10 cm	From 9,5cm to 18,5 cm	Ø 70	2070-10	10
10x10 cm	From 12,5cm to 21,5 cm	Ø 100	2100-10	10

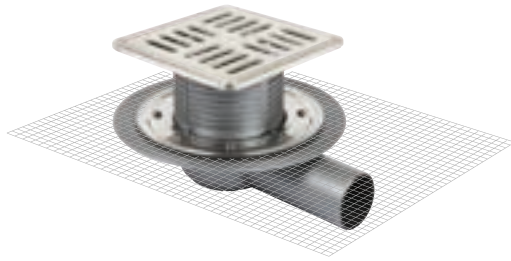


10x10 Plastic Framed Bottom Outlet

Grate Dimensions	Height h	Outlet Diameter	Product Code	Box Quantity
10x10 cm	From 11 cm to 20 cm	Ø 50	3050-10	10
10x10 cm	From 11 cm to 20 cm	Ø 70	3070-10	10
10x10 cm	From 11 cm to 20 cm	Ø 100	3100-10	10

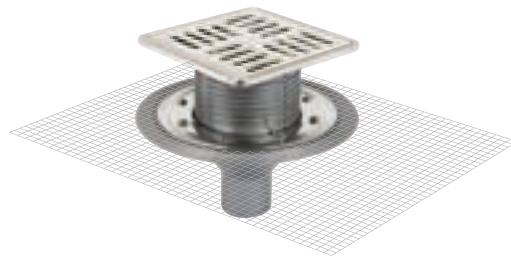
Standard Production Size

15x15 cm Steel Framed Models



15x15 Stainless Steel Framed Side Outlet

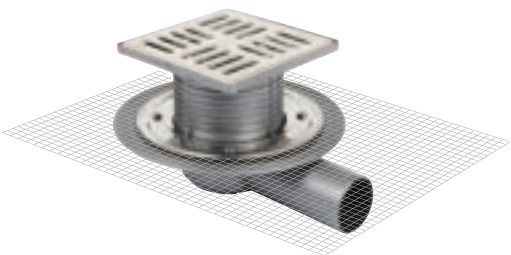
Grate Dimensions	Height h	Outlet Diameter	Product Code	Box Quantity
15x15 cm	From 5,5 cm to 14,5 cm	Ø 50	2050-15-1	10
15x15 cm	From 9,5 cm to 18,5 cm	Ø 70	2070-15-1	10
15x15 cm	From 12,5 cm to 21,5 cm	Ø 100	2100-15-1	10



15x15 Stainless Steel Framed Bottom Outlet

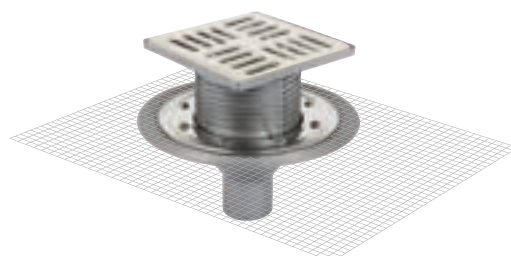
Grate Dimensions	Height h	Outlet Diameter	Product Code	Box Quantity
15x15 cm	From 11 cm to 20 cm	Ø 50	3050-15-1	10
15x15 cm	From 11 cm to 20 cm	Ø 70	3070-15-1	10
15x15 cm	From 11 cm to 20 cm	Ø 100	3100-15-1	10

15x15 cm Plastic Framed Models



15x15 Plastic Framed Side Outlet

Grate Dimensions	Height h	Outlet Diameter	Product Code	Box Quantity
15x15 cm	From 5,5 cm to 14,5 cm	Ø 50	2050-15	10
15x15 cm	From 9,5 cm to 18,5 cm	Ø 70	2070-15	10
15x15 cm	From 12,5 cm to 21,5 cm	Ø 100	2100-15	10



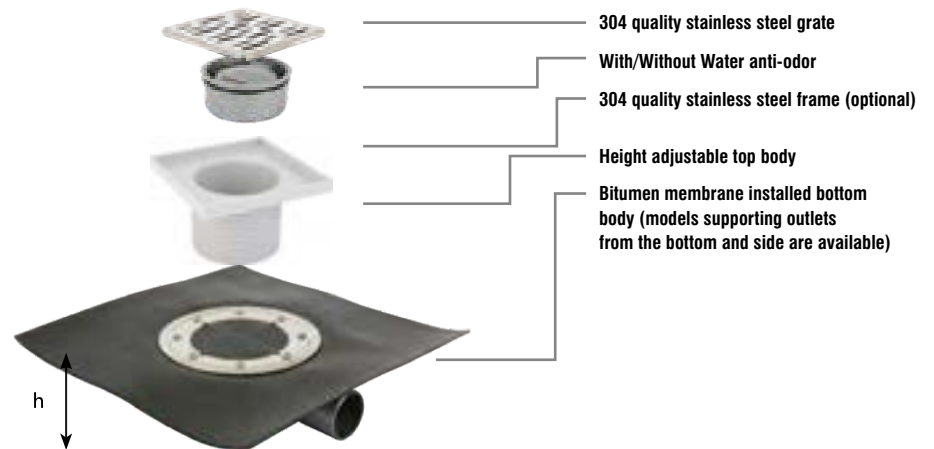
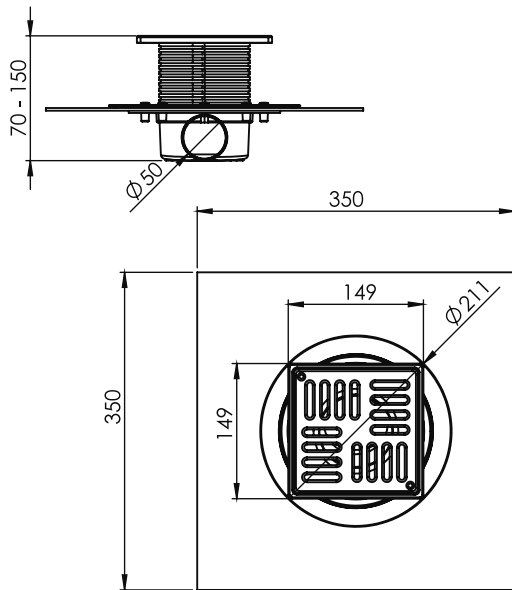
15x15 Plastic Framed Bottom Outlet

Grate Dimensions	Height h	Outlet Diameter	Product Code	Box Quantity
15x15 cm	From 11 cm to 20 cm	Ø 50	3050-15	10
15x15 cm	From 11 cm to 20 cm	Ø 70	3070-15	10
15x15 cm	From 11 cm to 20 cm	Ø 100	3100-15	10



Line / 13

Drain Set / Bitumen membrane insulation compliant, two-tier draining, height and direction adjustable.



Advantages

- 100% compliant with all water insulation materials thanks to its system that locks preferred insulation material to the bottom body with its gasket and steel flange.
- Upper body is adjustable from 1 cm to 9 cm height. This makes it very easy to install.
- 304 quality stainless steel grates and frames.
- It has Sukar's patented without water anti-odor Kokumatik (Odormatic). This helps protection against odors and bugs while there's no water in the system.
- It has two-tier draining.

Areas Of Use

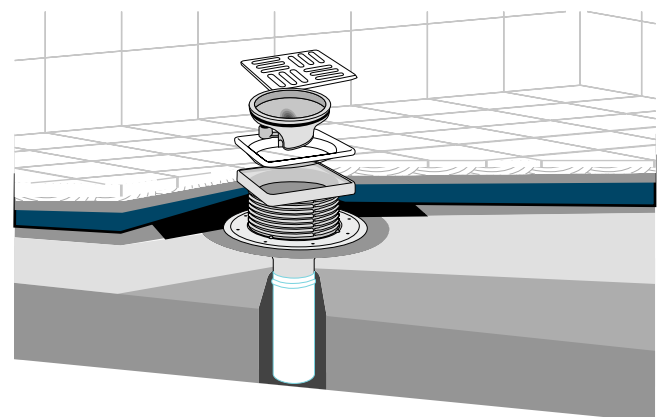
It's recommended for wet surfaces where bitumen membrane is to be applied. It's also recommended for places where thick floor cover such as marble is to be applied or all wet surfaces where heat insulation will be applied.

Commercial Presentation

304 quality stainless steel grate, With/Without water anti-odor, 304 quality stainless steel frame (optional), Height adjustable top body, protective lid, bitumen membrane installed and stainless steel flanged bottom body are sold as a set.

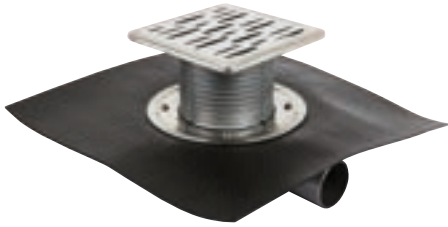
Easy Installation

- Bitumen membrane installed bottom body can be directed and connected to installation.
- Bitumen membrane skirt fixed to the bottom body with stainless steel flange ring is placed between bitumen membrane layers applied over leveling screed and joined by melting with welding torch. This provides integration of the drain to the insulation material.
- Height adjusted top body can be clipped from the guides to set desired height of grate between 1 and 9 cm. Further extension possible through additional apparatus.



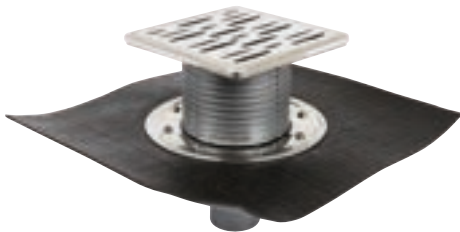
Standard Production Size

15x15 cm Steel Framed Models



15x15 Stainless Steel Framed Side Outlet

Grate Dimensions	Height h	Outlet Diameter	Product Code	Box Quantity
15x15 cm	From 5,5cm to 14,5 cm	Ø 50	1050-15-1	10
15x15 cm	From 9cm to 18 cm	Ø 70	1070-15-1	10
15x15 cm	From 12,5cm to 21,5 cm	Ø 100	1100-15-1	10



15x15 Stainless Steel Framed Bottom Outlet

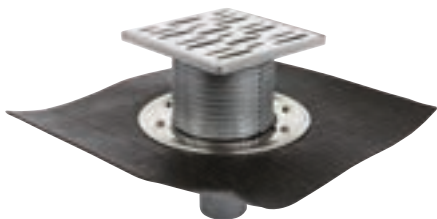
Grate Dimensions	Height h	Outlet Diameter	Product Code	Box Quantity
15x15 cm	From 11 cm to 20 cm	Ø 50	1250-15-1	10
15x15 cm	From 11 cm to 20 cm	Ø 70	1270-15-1	10
15x15 cm	From 11 cm to 20 cm	Ø 100	1210-15-1	10

15x15 cm Plastic Framed Models



15x15 Plastic Framed Side Outlet

Grate Dimensions	Height h	Outlet Diameter	Product Code	Box Quantity
15x15 cm	From 5,5cm to 14,5 cm	Ø 50	1050-15	10
15x15 cm	From 9cm to 18 cm	Ø 70	1070-15	10
15x15 cm	From 12,5cm to 21,5 cm	Ø 100	1100-15	10

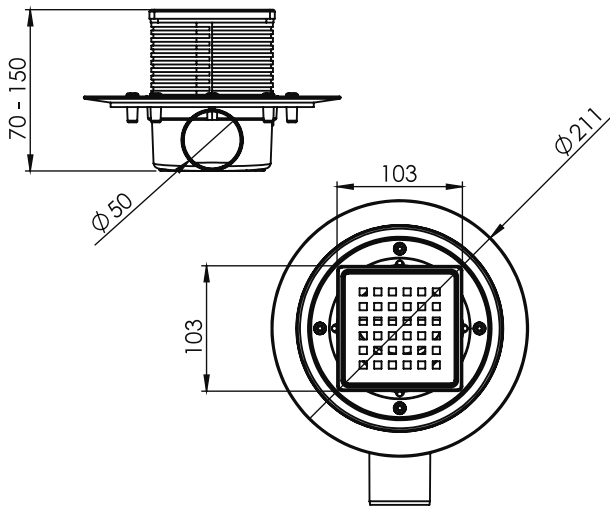


15x15 Plastic Framed Bottom Outlet

Grate Dimensions	Height h	Outlet Diameter	Product Code	Box Quantity
15x15 cm	From 11 cm to 20 cm	Ø 50	1250-15	10
15x15 cm	From 11 cm to 20 cm	Ø 70	1270-15	10
15x15 cm	From 11 cm to 20 cm	Ø 100	1210-15	10

Line / 14

Drain Set / Compliant to all insulation types (liquid, laid) , two-tier draining, with\without water anti-odor, height and direction adjustable.



- 304 quality stainless steel grate
- With/Without Water anti-odor
- 304 quality stainless steel frame (optional)
- Height adjustable top body
- Stainless steel flange ring
- EPDM Gasket (for flange ring)
- Protective lid
- Bottom body (models supporting outlets from the bottom and side are available)

Advantages

- 100% compliant with all water insulation materials thanks to its system that locks preferred insulation material to the bottom body with its gasket and steel flange.
- Upper body is adjustable from 1 cm to 9 cm height. This makes it very easy to install.
- 304 quality stainless steel grates and frames.
- It has Sukar's patented without water anti-odor Kokumatik (Odormatic). This helps protection against odors and bugs while there's no water in the system.
- It has two-tier draining.

Areas Of Use

It can be used in any location where water insulation is applied; where thick floor cover such as marble is to be applied or all wet surfaces where heat insulation will be applied;

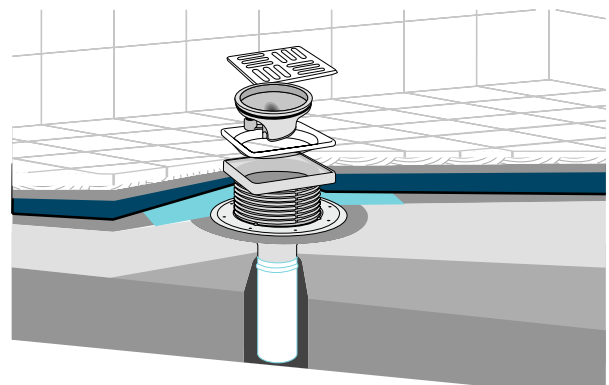
- Terraces with heat insulation,
- Marble or high tile used bathrooms,
- Saunas and SPAs,
- Hospital and hotel shower,
- Dressing rooms and showers of fitness centers,
- Bathhouse and Turkish bath open to public use.

Commercial Presentation

304 quality stainless steel grate, with\without water anti-odor, 304 quality stainless steel frame (optional), Height adjustable top body, stainless steel flange ring, EPDM sealing ring (for Flange Ring), protective lid and bottom body are sold as a set.

Easy Installation

- Membrane, insulation textile or mesh is installed to bottom body according to the water insulation type.
- Bottom body can be directed and connected to installation.
- Membrane, insulation textile or mesh skirt fixed to the bottom body beforehand according to water insulation type is placed between liquid or laid insulation layers applied over leveling screed. This provides integration of the drain to the insulation material.
- Height adjusted top body can be clipped from the guides to set desired height of grate between 1 and 9 cm. Further extension possible through additional apparatus.



Standard Production Size

10x10 cm Steel Framed Models



10x10 Stainless Steel Framed Side Outlet

Grate Dimensions	Height h	Outlet Diameter	Product Code	Box Quantity
10x10 cm	From 5cm to 14,5 cm	Ø 32	7032-10-1	10
10x10 cm	From 5,5cm to 14,5 cm	Ø 50	7050-10-1	10
10x10 cm	From 9cm to 18,5 cm	Ø 70	7070-10-1	10
10x10 cm	From 12,5cm to 21,5 cm	Ø 100	7100-10-1	10



10x10 Stainless Steel Framed Bottom Outlet

Grate Dimensions	Height h	Outlet Diameter	Product Code	Box Quantity
10x10 cm	From 11 cm to 20 cm	Ø 50	6050-10-1	10
10x10 cm	From 11 cm to 20 cm	Ø 70	6070-10-1	10
10x10 cm	From 11 cm to 20 cm	Ø 100	6100-10-1	10

10x10 cm Plastic Framed Models



10x10 Plastic Framed Side Outlet

Grate Dimensions	Height h	Outlet Diameter	Product Code	Box Quantity
10x10 cm	From 5cm to 14,5 cm	Ø 32	7032-10	10
10x10 cm	From 5,5cm to 14,5 cm	Ø 50	7050-10	10
10x10 cm	From 9cm to 18,5 cm	Ø 70	7070-10	10
10x10 cm	From 12,5cm to 21,5 cm	Ø 100	7100-10	10



10x10 Plastic Framed Bottom Outlet

Grate Dimensions	Height h	Outlet Diameter	Product Code	Box Quantity
10x10 cm	From 11 cm to 20 cm	Ø 50	6050-10	10
10x10 cm	From 11 cm to 20 cm	Ø 70	6070-10	10
10x10 cm	From 11 cm to 20 cm	Ø 100	6100-10	10

Standard Production Size
15x15 cm Steel Framed Models



15x15 Stainless Steel Framed Side Outlet

Grate Dimensions	Height h	Outlet Diameter	Product Code	Box Quantity
15x15 cm	From 5,5cm to 14,5cm	Ø 50	7050-15-1	10
15x15 cm	From 9cm to 18cm	Ø 70	7070-15-1	10
15x15 cm	From 12,5cm to 21,5cm	Ø100	7100-15-1	10



15x15 Stainless Steel Framed Bottom Outlet

Grate Dimensions	Height h	Outlet Diameter	Product Code	Box Quantity
15x15 cm	From 11cm to 20cm	Ø 50	6050-15-1	10
15x15 cm	From 11cm to 20cm	Ø 70	6070-15-1	10
15x15 cm	From 11cm to 20cm	Ø 100	6100-15-1	10

15x15 cm Plastic Framed Models



15x15 Plastic Framed Side Outlet

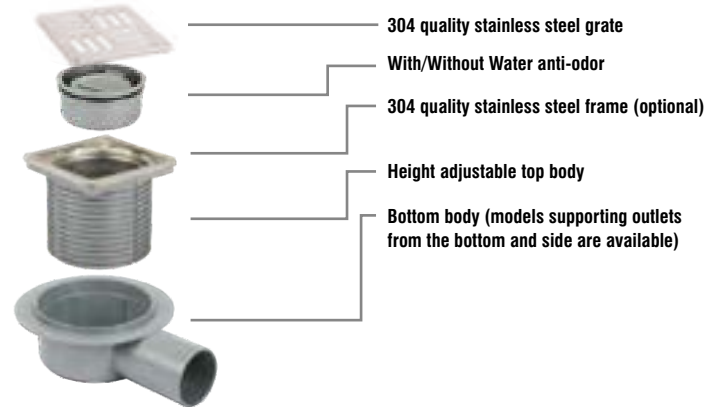
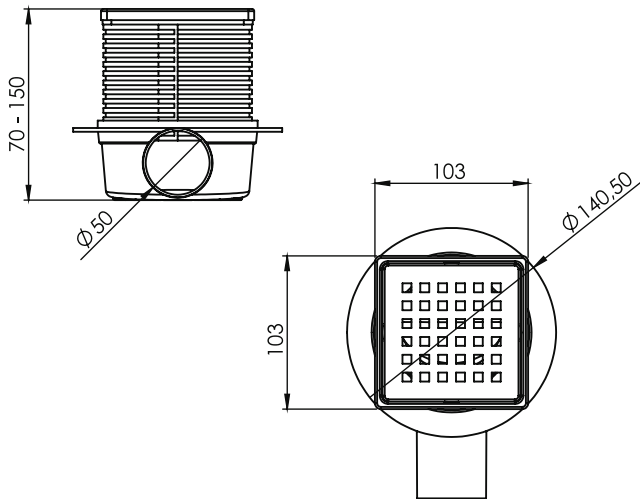
Grate Dimensions	Height h	Outlet Diameter	Product Code	Box Quantity
15x15 cm	From 5,5cm to 14,5cm	Ø 50	7050-15	10
15x15 cm	From 9cm to 18cm	Ø 70	7070-15	10
15x15 cm	From 12,5cm to 21,5cm	Ø 100	7100-15	10



15x15 Plastic Framed Bottom Outlet

Grate Dimensions	Height h	Outlet Diameter	Product Code	Box Quantity
15x15 cm	From 11cm to 20cm	Ø 50	6050-15	10
15x15 cm	From 11cm to 20cm	Ø 70	6070-15	10
15x15 cm	From 11cm to 20cm	Ø 100	6100-15	10

Line / 15 Drain Set / Without insulation skirt, height and direction adjustable.



Advantages

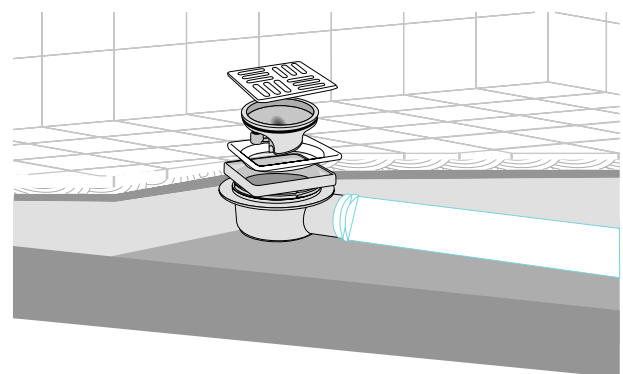
- Upper body is adjustable from 1 cm to 9 cm height. This makes it very easy to install. Extension apparatus provides unlimited extension.
- Stainless steel grates and frames.
- It has Sukar's patented without water anti-odor Kokumatik (Odormatic). This helps protection against odors and bugs while there's no water in the system.
- It has two-tier draining.

Easy Installation

- Bottom body can be directed towards plumbing for easy installation.
- Height adjusted top body can be clipped from the guides to set desired height.

Areas Of Use

- It can be used in any location where water insulation is not applied; where thick floor cover such as marble is to be applied or all wet surfaces where heat insulation will be applied;
- Wet areas such as bathrooms, kitchens, balconies and terraces,
 - Restaurants, mess halls and industrial sites,
 - Terminals, airports and such public places,
 - Dressing rooms,
 - Bathhouses,
 - Service areas of hospitals and hotels.



Commercial Presentation

304 quality stainless steel grate, with\without water anti-odor, 304 quality stainless steel frame (optional), Height adjustable top body and bottom body are sold as a set.

Standard Production Size

10x10 cm Steel Framed Models



10x10 Stainless Steel Framed Side Outlet

Grate Dimensions	Height h	Outlet Diameter	Product Code	Box Quantity
10x10 cm	From 5,5cm to 14,5 cm	Ø 32	8032-10-1	10
10x10 cm	From 5,5cm to 14,5 cm	Ø 50	8050-10-1	10
10x10 cm	From 8,4cm to 17,4 cm	Ø 70	8070-10-1	10
10x10 cm	From 11,4cm to 20,4 cm	Ø 100	8100-10-1	10



10x10 Stainless Steel Framed Bottom Outlet

Grate Dimensions	Height h	Outlet Diameter	Product Code	Box Quantity
10x10 cm	From 11cm to 20cm	Ø 50	9050-10-1	10
10x10 cm	From 11cm to 20cm	Ø 70	9070-10-1	10
10x10 cm	From 11cm to 20cm	Ø 100	9100-10-1	10

10x10 cm Plastic Framed Models



10x10 Plastic Framed Side Outlet

Grate Dimensions	Height h	Outlet Diameter	Product Code	Box Quantity
10x10 cm	From 5,5cm to 14,5 cm	Ø 32	8032-10	10
10x10 cm	From 5,5cm to 14,5 cm	Ø 50	8050-10	10
10x10 cm	From 8,4cm to 17,4 cm	Ø 70	8070-10	10
10x10 cm	From 11,4cm to 20,4 cm	Ø 100	8100-10	10



10x10 Plastic Framed Bottom Outlet

Grate Dimensions	Height h	Outlet Diameter	Product Code	Box Quantity
10x10 cm	From 11cm to 20cm	Ø 50	9050-10	10
10x10 cm	From 11cm to 20cm	Ø 70	9070-10	10
10x10 cm	From 11cm to 20cm	Ø 100	9100-10	10

Standard Production Size
15X15 cm Steel Framed Models



15x15 Stainless Steel Framed Side Outlet

Grate Dimensions	Height h	Outlet Diameter	Product Code	Box Quantity
15x15 cm	From 5,5cm to 14,5cm	Ø 50	8050-15-1	10
15x15 cm	From 8,4cm to 17,4cm	Ø 70	8070-15-1	10
15x15 cm	From 11,4cm to 20,4cm	Ø100	8100-15-1	10



15x15 Stainless Steel Framed Bottom Outlet

Grate Dimensions	Height h	Outlet Diameter	Product Code	Box Quantity
15x15 cm	From 11cm to 20cm	Ø 50	9050-15-1	10
15x15 cm	From 11cm to 20cm	Ø 70	9070-15-1	10
15x15 cm	From 11cm to 20cm	Ø 100	9100-15-1	10

15x15 cm Plastic Framed Models



15x15 Plastic Framed Side Outlet

Grate Dimensions	Height h	Outlet Diameter	Product Code	Box Quantity
15x15 cm	From 5,5cm to 14,5cm	Ø 50	8050-15	10
15x15 cm	From 8,4cm to 17,4cm	Ø 70	8070-15	10
15x15 cm	From 11,4cm to 20,4cm	Ø 100	8100-15	10



15x15 Plastic Framed Bottom Outlet

Grate Dimensions	Height h	Outlet Diameter	Product Code	Box Quantity
15x15 cm	From 11cm to 20cm	Ø 50	9050-15	10
15x15 cm	From 11cm to 20cm	Ø 70	9070-15	10
15x15 cm	From 11cm to 20cm	Ø 100	9100-15	10







Side Outlet Standard Drains

/ Self sloped and clawed bottom body, anti-odor safety installation drains.

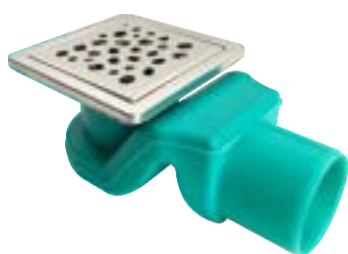
Advantages

- Stainless steel grate provides long product life.
- It has Sukar's patented without water anti-odor Kokumatik (Odormatic). This helps protection against odors and bugs while there's no water in the system.
- Slope on the bottom body hasten water flow.
- Clawed bottom of the bottom body increases the adhesion strength to the screed.

Areas of Use

- Wet areas such as bathrooms, kitchens, balconies and terraces,
- Restaurants, mess halls and industrial sites,
- Terminals, airports and such public places,
- Dressing rooms, Bathhouses,
- Service areas of hospitals and hotels.

Standard produced sizes



9x9 cm Stainless Steel Framed New System Floor Drain

Anti-Odor	Height h	Outlet Diameter	Product Code	Box Quantity
W/Anti Odor	6,5 cm	Ø50	1041-4195022-11	40
W/Anti Odor	6,5 cm	Ø32	1041-4193222-11	40



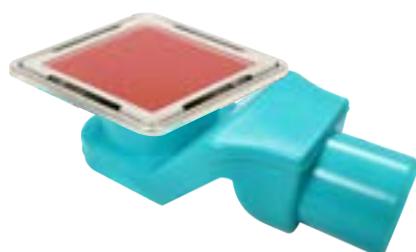
15x15 cm Stainless Steel Framed New System Floor Drain

Anti-Odor	Height h	Outlet Diameter	Product Code	Box Quantity
W/Anti Odor	6,5 cm	Ø50	1041-0155022-11	32
W/Anti Odor	6,5 cm	Ø32	1041-0153222-11	32



10x10 cm Stainless Steel Framed Square Grate Model Floor Drain

Anti-Odor	Height h	Outlet Diameter	Product Code	Box Quantity
W/Anti Odor	6,5 cm	Ø50	1041-0105022-12	39
W/Anti Odor	6,5 cm	Ø32	1041-0103222-12	39



10x10 cm Stainless Steel Framed Glass Grate Model Floor Drain

Anti-Odor	Height h	Outlet Diameter	Product Code	Box Quantity
W/Anti Odor	6,5 cm	Ø50	1041-0295022-01	48
W/Anti Odor	6,5 cm	Ø32	1041-0293222-01	48



6x10 cm New System Floor Drain

Anti-Odor	Height h	Outlet Diameter	Product Code	Box Quantity
W/Anti Odor	6,5 cm	Ø50	1041-0555022-11	48
W/Anti Odor	6,5 cm	Ø32	1041-0553222-11	48



10x10 cm Plastic Framed New System Floor Drain

Anti-Odor	Height h	Outlet Diameter	Product Code	Box Quantity
W/Anti Odor	6,5 cm	Ø50	1041-0535022-12	85
W/Anti Odor	6,5 cm	Ø32	1041-0533222-12	39

Standard Production Size
10x10 cm Steel Framed Models



10x10 Stainless Steel Framed Square Grate

Anti-odor	Height h	Outlet Diameter	Product Code	Box Quantity
W\wlo water	6,5 cm	Ø 32	1041-1283222-11	50-10
W\wlo water	6,5 cm	Ø 50	1041-1285022-11	50-10



10x10 Stainless Steel Framed Line Grate

Anti-odor	Height h	Outlet Diameter	Product Code	Box Quantity
W\wlo water	6,5 cm	Ø 32	1041-1283222-10	50-10
W\wlo water	6,5 cm	Ø 50	1041-1285022-10	50-10



10x10 Stainless Steel Framed Pebble Grate

Anti-odor	Height h	Outlet Diameter	Product Code	Box Quantity
W\wlo water	6,5 cm	Ø 32	1041-1283222-09	50-10
W\wlo water	6,5 cm	Ø 50	1041-1285022-09	50-10



10x10 Stainless Steel Framed Sun Grate

Anti-odor	Height h	Outlet Diameter	Product Code	Box Quantity
W\wlo water	6,5 cm	Ø 32	1041-1283222-08	50-10
W\wlo water	6,5 cm	Ø 50	1041-1285022-08	50-10

Standard Production Size
10x10 cm Plastic Framed Models



10x10 Plastic Framed Square Grate

Anti-odor	Height h	Outlet Diameter	Product Code	Box Quantity
W\wlo water	6,5 cm	Ø 32	1041-2123222-11	50-10
W\wlo water	6,5 cm	Ø 50	1041-2125022-11	50-10



10x10 Plastic Framed Line Grate

Anti-odor	Height h	Outlet Diameter	Product Code	Box Quantity
W\wlo water	6,5 cm	Ø 32	1041-2123222-10	50-10
W\wlo water	6,5 cm	Ø 50	1041-2125022-10	50-10



10x10 Plastic Framed Pebble Grate

Anti-odor	Height h	Outlet Diameter	Product Code	Box Quantity
W\wlo water	6,5 cm	Ø 32	1041-2123222-09	50-10
W\wlo water	6,5 cm	Ø 50	1041-2125022-09	50-10



10x10 Plastic Framed Sun Grate

Anti-odor	Height h	Outlet Diameter	Product Code	Box Quantity
W\wlo water	6,5 cm	Ø 32	1041-2123222-08	50-10
W\wlo water	6,5 cm	Ø 50	1041-2125022-08	50-10

Standard Production Size
10x10 cm Steel Framed Models



10x10 Golden Steel Framed Square Grate

Anti-odor	Height h	Outlet Diameter	Product Code	Box Quantity
W\w/o water	6,5 cm	Ø 32	1041-1283222-71	50-10
W\w/o water	6,5 cm	Ø 50	1041-1285022-71	50-10



10x10 Golden Steel Framed Line Grate

Anti-odor	Height h	Outlet Diameter	Product Code	Box Quantity
W\w/o water	6,5 cm	Ø 32	1041-1283222-72	50-10
W\w/o water	6,5 cm	Ø 50	1041-1285022-72	50-10



10x10 Golden Steel Framed Pebble Grate

Anti-odor	Height h	Outlet Diameter	Product Code	Box Quantity
W\w/o water	6,5 cm	Ø 32	1041-1283222-73	50-10
W\w/o water	6,5 cm	Ø 50	1041-1285022-73	50-10



10x10 Golden Steel Framed Sun Grate

Anti-odor	Height h	Outlet Diameter	Product Code	Box Quantity
W\w/o water	6,5 cm	Ø 32	1041-1283222-74	50-10
W\w/o water	6,5 cm	Ø 50	1041-1285022-74	50-10

Standard Production Size
10x10 cm Steel Framed Models



10x10 Bronze Steel Framed Square Grate

Anti-odor	Height h	Outlet Diameter	Product Code	Box Quantity
W\w/o water	6,5 cm	Ø 32	1041-1283222-51	50-10
W\w/o water	6,5 cm	Ø 50	1041-1285022-51	50-10



10x10 Bronze Steel Framed Line Grate

Anti-odor	Height h	Outlet Diameter	Product Code	Box Quantity
W\w/o water	6,5 cm	Ø 32	1041-1283222-52	50-10
W\w/o water	6,5 cm	Ø 50	1041-1285022-52	50-10



10x10 Black Steel Framed Square Grate

Anti-odor	Height h	Outlet Diameter	Product Code	Box Quantity
W\w/o water	6,5 cm	Ø 32	1041-1283222-31	50-10
W\w/o water	6,5 cm	Ø 50	1041-1285022-31	50-10



10x10 Black Steel Framed Line Grate

Anti-odor	Height h	Outlet Diameter	Product Code	Box Quantity
W\w/o water	6,5 cm	Ø 32	1041-1283222-32	50-10
W\w/o water	6,5 cm	Ø 50	1041-1285022-32	50-10

Standard Production Size



10x10 cm Stainless Steel Covered Lid

Anti-odor	Height h	Outlet Diameter	Product Code	Box Quantity
W\w/o water	6,5 cm	Ø 32	1041-0693222-11	50-10
W\w/o water	6,5 cm	Ø 50	1041-0695022-11	50-10

10x10 cm Plastic Framed Models



10x10 cm Plastic Framed Sun Grate

Anti-odor	Height h	Outlet Diameter	Product Code	Box Quantity
Odormatic	6,5 cm	Ø 50	1041-0565022-11	50
Odormatic	6,5 cm	Ø 32	1041-0563222-11	50



10x10 cm Plastic Framed Square Grate

Anti-odor	Height h	Outlet Diameter	Product Code	Box Quantity
Odormatic	6,5 cm	Ø 50	1041-0565022-12	50
Odormatic	6,5 cm	Ø 32	1041-0563222-12	50

Standard Production Size
15x15 cm Steel Framed Models



15x15 cm Stainless Steel Framed Line Grate

Anti-odor	Height h	Outlet Diameter	Product Code	Box Quantity
W\w/o water	6,5 cm	Ø 50	1041-2145022-11	32-12
W\w/o water	8,5 cm	Ø 70	1041-1517022-11	27-12



15x15 cm Stainless Steel Framed Rain Grate

Anti-odor	Height h	Outlet Diameter	Product Code	Box Quantity
W\w/o water	6,5 cm	Ø 50	1041-2305022-11	32-12
W\w/o water	8,5 cm	Ø 70	1041-2297022-11	27-12



15x15 cm Stainless Steel Framed Square Grate

Anti-odor	Height h	Outlet Diameter	Product Code	Box Quantity
W\w/o water	6,5 cm	Ø 50	1041-2145022-10	32-12
W\w/o water	8,5 cm	Ø 70	1041-1517022-10	27-12



15x15 cm Stainless Steel Framed Sun Grate

Anti-odor	Height h	Outlet Diameter	Product Code	Box Quantity
W\w/o water	6,5 cm	Ø 50	1041-2305022-10	32-12
W\w/o water	8,5 cm	Ø 70	1041-2297022-10	27-12

Standard Production Dimensions
15X15 cm Plastic Framed Models



15x15 cm Plastic Framed Line Grate

Anti-odor	Height h	Outlet Diameter	Product Code	Box Quantity
W\w/o water	6,5 cm	Ø 50	1041-2155022-11	32-12
W\w/o water	8,5 cm	Ø 70	1041-1557022-11	27-12



15x15 cm Plastic Framed Rain Grate

Anti-odor	Height h	Outlet Diameter	Product Code	Box Quantity
W\w/o water	6,5 cm	Ø 50	1041-2335022-11	32-12
W\w/o water	8,5 cm	Ø 70	1041-2327022-11	27-12



15x15 cm Plastic Framed Square Grate

Anti-odor	Height h	Outlet Diameter	Product Code	Box Quantity
W\w/o water	6,5 cm	Ø 50	1041-2155022-10	32-12
W\w/o water	8,5 cm	Ø 70	1041-1557022-10	27-12



15x15 cm Plastic Framed Sun Grate

Anti-odor	Height h	Outlet Diameter	Product Code	Box Quantity
W\w/o water	6,5 cm	Ø 50	1041-2335022-10	32-12
W\w/o water	8,5 cm	Ø 70	1041-2327022-10	27-12

**Standard Production Size
20X20 cm Steel Framed Models**



20x20 cm Steel Framed Line Grate

Anti-odor	Height h	Outlet Diameter	Product Code	Box Quantity
Odomatic	6,5 cm	Ø 50	1041-3015022-11	1



20x20 cm Steel Framed Rain Grate

Anti-odor	Height h	Outlet Diameter	Product Code	Box Quantity
Odomatic	6,5 cm	Ø 50	1041-3035022-11	1



20x20 cm Steel Framed Square Grate

Anti-odor	Height h	Outlet Diameter	Product Code	Box Quantity
Odomatic	6,5 cm	Ø 50	1041-3005022-11	1



20x20 cm Steel Framed Sun Grate

Anti-odor	Height h	Outlet Diameter	Product Code	Box Quantity
Odomatic	6,5 cm	Ø 50	1041-3025022-11	1

Complete Stainless Drains

Side Outlets



Dimensions	Characterics	Grate	Outlet Diameter	Product Code	Box Quantity
15x15 cm	Side Outlet	Slot	Ø 50	2123-0895022-01	1
20x20 cm	Side Outlet	Slot	Ø 50	2123-0905022-01	1
30x30 cm	Side Outlet	Slot	Ø 50	2123-0915022-01	1

Bottom Outlets



Dimensions	Grate	Product Code	Box Quantity
15x15 cm	Slot	2123-0891033-01	1
20x20 cm	Slot	2123-0901033-01	1
30x30 cm	Slot	2123-0911033-01	1

Compatible With Bottom Bodies

Line 10	Line 13
Line 11	Line 14
Line 12	Line 15

Triangular Shower Drain Side Outlet



Dimensions	Grate	Product Code	Box Quantity
280x190x100cm	Slot	2123-1235022-01	1
335x255x104 cm	Slot	2123-0885022-01	1

Triangular Shower Drain with height adjustable Cap



Dimensions	Grate	Product Code	Box Quantity
280x190x100cm	Slot	2123-1231033-01	1
335x255x104 cm	Slot	2123-0881033-01	1

Compatible With Bottom Bodies

Line 10	Line 13
Line 11	Line 14
Line 12	Line 15

Triangular Shower Drain Bottom Outlet



Dimensions	Grate	Product Code	Box Quantity
280x190x100cm	Slot	2123-1230000-01	1
335x255x104 cm	Slot	2123-0880000-01	1

* The above mentioned products are manufactured according to order.

Pls ask for deadline for the production of your orders.





Bottom Outlet Standard Drains

/ Anti-odor safety , installation drains.

Advantages

- Stainless steel provides long product life.
- It has Sukar's patented without water anti-odor Kokumatik (Odormatic). This helps protection against odors and bugs while there's no water in the system.

Areas of Use

- Wet areas such as bathrooms, kitchens, balconies and terraces,
- Restaurants, mess halls and industrial sites,
- Terminals, airports and such public places,
- Dressing rooms, bathhouses,
- Service areas of hospitals and hotels.

Standard Production Size
10x10 cm Steel Framed Models



10x10 cm Stainless Steel Framed Square Grate

Anti-odor	Height h	Outlet Diameter	Product Code	Box Quantity
W\w\o water	4,5 cm	Ø 50	1041-1285000-11	60-16



10x10 cm Stainless Steel Framed Line Grate

Anti-odor	Height h	Outlet Diameter	Product Code	Box Quantity
W\w\o water	4,5 cm	Ø 50	1041-1285000-10	60-16



10x10 cm Stainless Steel Framed Pebble Grate

Anti-odor	Height h	Outlet Diameter	Product Code	Box Quantity
W\w\o water	4,5 cm	Ø 50	1041-1285000-09	60-16



10x10 cm Stainless Steel Framed Sun Grate

Anti-odor	Height h	Outlet Diameter	Product Code	Box Quantity
W\w\o water	4,5 cm	Ø 50	1041-1285000-08	60-16

10x10 cm Plastic Framed Models



10x10 cm Plastic Framed Square Grate

Anti-odor	Height h	Outlet Diameter	Product Code	Box Quantity
W\w\o water	4,5 cm	Ø 50	1041-2125000-11	60-16



10x10 cm Plastic Framed Line Grate

Anti-odor	Height h	Outlet Diameter	Product Code	Box Quantity
W\w\o water	4,5 cm	Ø 50	1041-2125000-10	60-16



10x10 cm Plastic Framed Pebble Grate

Anti-odor	Height h	Outlet Diameter	Product Code	Box Quantity
W\w\o water	4,5 cm	Ø 50	1041-2125000-09	60-16



10x10 cm Plastic Framed Sun Grate

Anti-odor	Height h	Outlet Diameter	Product Code	Box Quantity
W\w\o water	4,5 cm	Ø 50	1041-2125000-08	60-16

Standard Production Size
10x10 cm Steel Framed Models



10x10 cm Golden Steel Framed Square Grate

Anti-odor	Height h	Outlet Diameter	Product Code	Box Quantity
W\w\o water	4,5 cm	Ø 50	1041-1285000-71	60-16



10x10 cm Golden Steel Framed Line Grate

Anti-odor	Height h	Outlet Diameter	Product Code	Box Quantity
W\w\o water	4,5 cm	Ø 50	1041-1285000-72	60-16



10x10 cm Golden Steel Framed Pebble Grate

Anti-odor	Height h	Outlet Diameter	Product Code	Box Quantity
W\w\o water	4,5 cm	Ø 50	1041-1285000-73	60-16



10x10 cm Golden Steel Framed Sun Grate

Anti-odor	Height h	Outlet Diameter	Product Code	Box Quantity
W\w\o water	4,5 cm	Ø 50	1041-1285000-74	60-16



10x10 cm Bronze Steel Framed Square Grate

Anti-odor	Height h	Outlet Diameter	Product Code	Box Quantity
W\w\o water	4,5 cm	Ø 50	1041-1285000-51	60-16



10x10 cm Bronze Steel Framed Line Grate

Anti-odor	Height h	Outlet Diameter	Product Code	Box Quantity
W\w\o water	4,5 cm	Ø 50	1041-1285000-52	60-16



10x10 cm Black Steel Framed Square Grate

Anti-odor	Height h	Outlet Diameter	Product Code	Box Quantity
W\w\o water	4,5 cm	Ø 50	1041-1285000-31	60-16



10x10 cm Black Steel Framed Line Grate

Anti-odor	Height h	Outlet Diameter	Product Code	Box Quantity
W\w\o water	4,5 cm	Ø 50	1041-1285000-32	60-16

Standard Production Size
15x15 cm Steel Framed Models



15x15 cm Stainless Steel Framed Line Grate

Anti-odor	Height h	Outlet Diameter	Product Code	Box Quantity
W\w/o water	4,5 cm	Ø 50	1041-1535000-11	27-12



15x15 cm Stainless Steel Framed Rain Grate

Anti-odor	Height h	Outlet Diameter	Product Code	Box Quantity
W\w/o water	4,5 cm	Ø 50	1041-2315000-11	27-12



15x15 cm Stainless Steel Framed Square Grate

Anti-odor	Height h	Outlet Diameter	Product Code	Box Quantity
W\w/o water	4,5 cm	Ø 50	1041-1535000-10	27-12



15x15 cm Stainless Steel Framed Sun Grate

Anti-odor	Height h	Outlet Diameter	Product Code	Box Quantity
W\w/o water	4,5 cm	Ø 50	1041-2315000-10	27-12



15x15 cm Plastic Framed Line Grate

Anti-odor	Height h	Outlet Diameter	Product Code	Box Quantity
W\w/o water	4,5 cm	Ø 50	1041-1575000-11	27-12



15x15 cm Plastic Framed Rain Grate

Anti-odor	Height h	Outlet Diameter	Product Code	Box Quantity
W\w/o water	4,5 cm	Ø 50	1041-2355000-11	27-12



15x15 cm Plastic Framed Square Grate

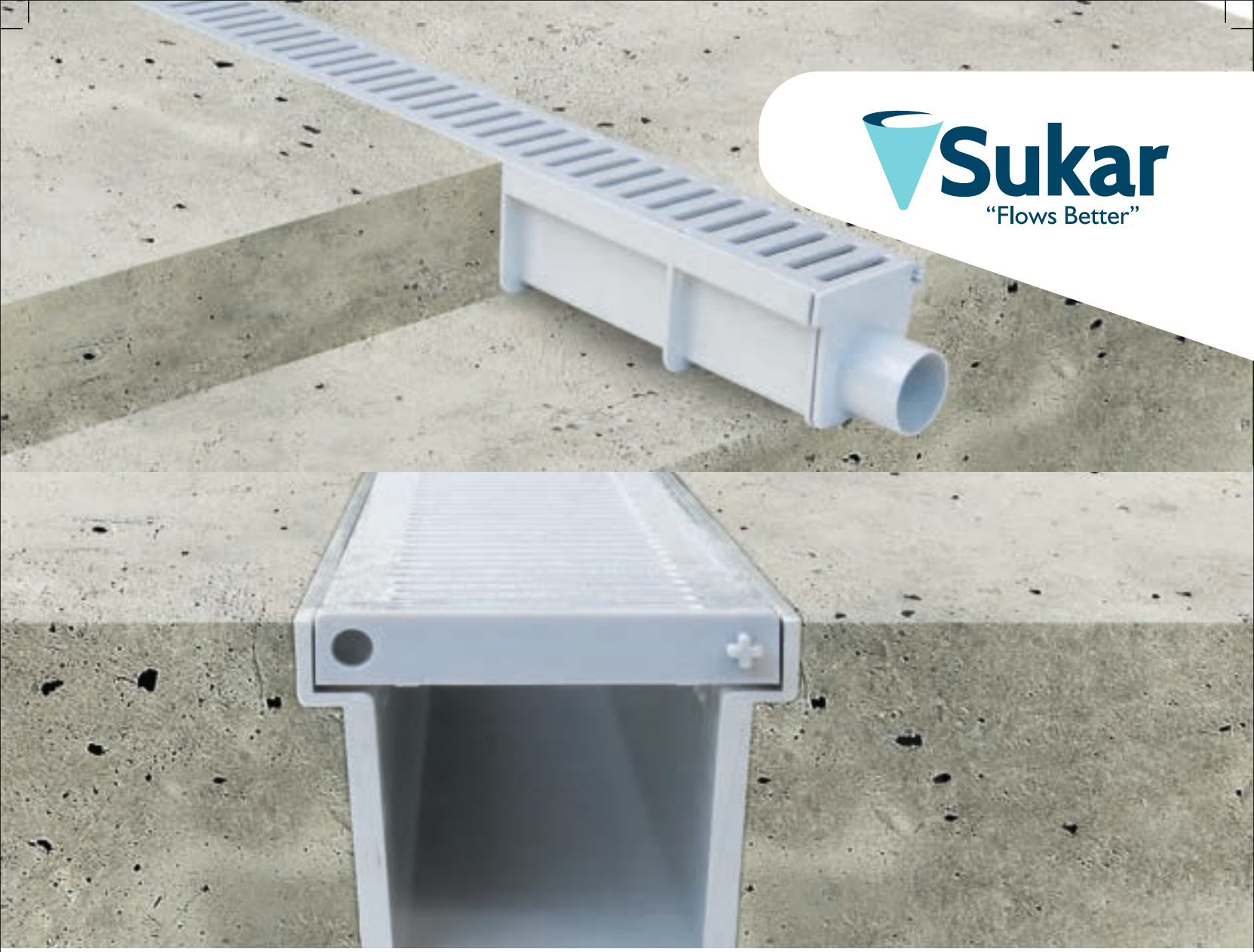
Anti-odor	Height h	Outlet Diameter	Product Code	Box Quantity
W\w/o water	4,5 cm	Ø 50	1041-1575000-10	27-12



15x15 cm Plastic Framed Sun Grate

Anti-odor	Height h	Outlet Diameter	Product Code	Box Quantity
W\w/o water	4,5 cm	Ø 50	1041-2355000-10	27-12





Drains For Open Areas



Modular Canals and Grates

/ Drains for park, garden and open areas.

Advantages

- They are made of polycarbonate and have high load bearing capacity.
- They are resistant to sun rays and acid corrosion.
- They are modular. They can be installed and directed by adding to each other.
- Plastic and steel grate options.

Easy Installation

- Modular system canals are joined by lock-fitting system, joints are connected with insulation adhesives. In "L" and "T" sections the dotted lines should be cut. Application to soil or concrete grounds is done by burying the canal leveling the top with the ground.

Areas of Use

- Outdoors, connections of buildings with gardens,
- They are canal grates developed for use in car park entrances,
- Where different floors meet in sports areas,
- Pools,
- Industrial kitchens.

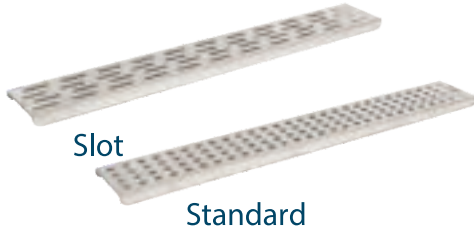
Canal and Grate Modules



Polycarbonate Grates

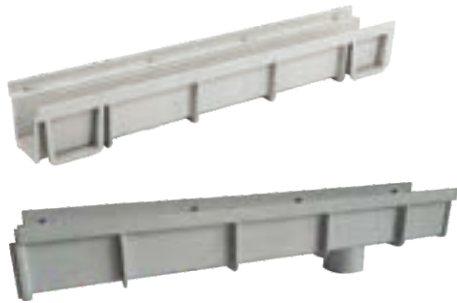
8x50 cm

Dimensions	Characterics	Product Code	Box Quantity
8x50x2 cm	polycarbonate-light load	1071-2580899-11	22



Stainless Steel Grates

Dimensions	Grate Model	Product Code	Box Quantity
8x50x2 cm	stainless slot model grate	1073-1060899-01	36



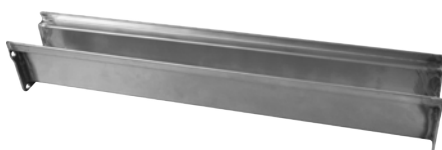
Polycarbonate Modular Canals

Dimensions	Characterics	Product Code	Box Quantity
8x50x7 cm	-	1061-2564033-11	22
8x50x7 cm	Ø50 bottom outlet	1061-2575000-11	18



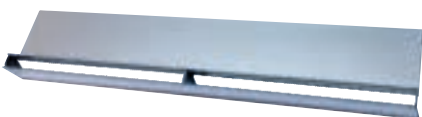
Canal Side Cover

Dimensions	Outlet Diameter	Color	Product Code	Box Quantity
8x50x7 cm	Ø 40	grey	1081-2594022-11	-
8x50x7 cm	Ø 50	grey	1081-2595022-11	-



Stainless Modular Canals

Dimensions	Characterics	Product Code
8x50x7 cm	stainless	1063-2163233-01



Stainless Steel Fuga Grate

It is produced in custom dimensions



Polycarbonate Grates

Dimensions	Characteristics	Product Code	Box Quantity
13x50x2 cm	Polycarbonate	1071-0521399-11	12
13x50x2 cm	Polycarbonate (for thin canal)	1071-0531399-11	12



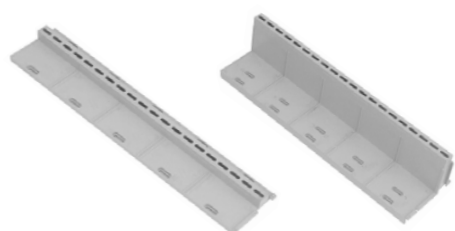
Stainless Steel Grates

Dimensions	Characteristics	Product Code	Box Quantity
13x50x2 cm	Stainless	1073-0521399-01	12
13x100x2 cm	Stainless	1073-0541399-01	12



Galvanic Grates

Dimensions	Characteristics	Product Code	Box Quantity
13x100x2 cm	Galvanic	1073-2251399-01	12



Fuga Grill (imported)

Dimensions	Characteristics	Product Code	Box Quantity
13x 50 x2 cm	-	FR-PCF 1320 G	1
13x 50 x9 cm	-	FR-PCF 1390 G	1
13x100x6 cm	Stainless Steel	1073-0521399-02	1



Polycarbonate Modular Canals

Dimensions	Characteristics	Product Code	Box Quantity
13x50x5,5 cm	Polycarbonate	1061-0473233-11	24
13x50x7,5 cm	Polycarbonate	1061-0485033-11	24
13x50x7,5 cm	Q50 bottom outlet	1061-0497000-11	18



Stainless Modular Canals

Dimensions	Characteristics	Product Code
13x100x7,5 cm	Stainless	1063-2161033-01
13x50x7,5 cm	Stainless	1063-2165033-01



Canal Side and Bottom Outlet Covers

Dimensions	Outlet Diameter	Color	Product Code	Box Quantity
13x50x5,5 cm	Ø 32	grey	1081-0513222-11	100
13x50x7,5 cm	Ø 50	grey	1081-0515022-11	65
13x50 cm	Ø 70 bottom	grey	1081-0517000-11	30



Polycarbonate Grates

Dimensions	Characteristics	Product Code	Box Quantity
20x50x2 cm	Polycarbonate Grate	1071-0522099-11	12



Stainless Steel Grates

Dimensions	Characteristics	Product Code	Box Quantity
20x50x2 cm	Stainless	1073-0522099-01	12
20x100x2 cm	Stainless	1073-1622099-01	12



Polycarbonate Modular Canals

Dimensions	Characteristics	Product Code	Box Quantity
20x50x11 cm	Polycarbonate Grate	1061-0507033-11	12



Stainless Modular Canals

Dimensions	Characteristics	Product Code
20x50x11 cm	Stainless	1063-2177033-01



Canal Side Covers

Dimensions	Outlet Diameter	Color	Product Code	Box Quantity
20x50x11 cm	Ø 70	grey	1081-0517022-11	25



Canal Bottom Outlet Covers

Dimensions	Outlet Diameter	Color	Product Code	Box Quantity
20x50 cm	Ø 100	grey	1081-0511000-11	30



Drains For Open Areas



Polypropylene Canals and Gates

/ Drains for park, garden and open areas.

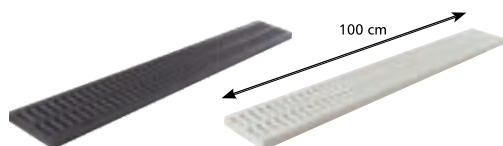
Advantages

- Provides an economical solution.
- They are modular. They can be installed and directed by adding to each other.
- Plastic and steel grate options.

Areas of Use

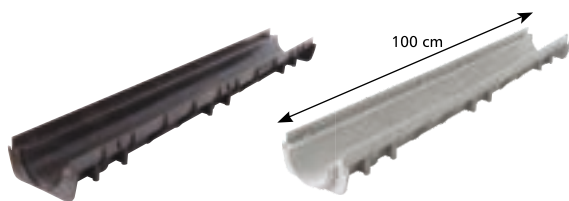
- Outdoors, connections of buildings with gardens,
- They are canal grates developed for use in car park entrances,
- Where different floors meet in sports areas,
- Pools,
- Industrial kitchens.

Standard Production Size



Grates

Dimensions	Characteristics	Product Code	Box Quantity
13x100x2 cm	black	1071-1871399-31	12
13x100x2 cm	grey	1071-1871399-11	12



Modular Canals

Dimensions	Characteristics	Product Code	Box Quantity
13x100x7,5 cm	black	1061-1395033-31	12
13x100x7,5 cm	grey	1061-1395033-11	12



Canal Side Covers

Dimensions	Outlet Diameter	Color	Product Code	Box Quantity
13x100x7,5 cm	Ø 50	black	1081-2245022-31	25
13x100x7,5 cm	Ø 50	grey	1081-2245022-11	25



Bottom Outlet Covers

Dimensions	Outlet Diameter	Color	Product Code	Box Quantity
13x50 cm	Ø 70	black	1081-0517000-31	30
13x50 cm	Ø 70	grey	1081-0517000-11	30



Canal and Grate Corners

Dimensions	Color	Product Code	Box Quantity
13x100x7,5 cm	black	1081-2255022-31	18
13x100x7,5 cm	grey	1081-2255022-11	18

Polymer canal

*It is produced according to order. Stock is limited.

external
supply
products

Advantages

- There is many different dimentions Because of problems associated with the transition being dissolved with a suitable transition elements and long channel lines produced biasing element is provided to be emptied rapidly. The special production of all kinds to be quick and easy production (curved channel, vertical corner element, quadruple combination, angled corner element etc.) it is carried to feasibility and delivered as soon as possible.
- Polymer concrete channel System has a many different grates on channel. Plus , According to request,The production could be different design grates .

Areas of Use

- Outdoors, connections of buildings with gardens,
- They are canal grates developed for use in car park entrances,
- Where different floors meet in sports areas,
- Pools,



Polymer Canal

Width	Length	Height h	Product Code
12,5 cm	100 cm	6 cm	PR-001
12,5 cm	100 cm	15 cm	PR-003
12,5 cm	100 cm	20 cm	PR-004
20 cm	100 cm	6 cm	PR-006
20 cm	100 cm	8 cm	PR-007
20 cm	100 cm	12 cm	PR-008
20 cm	100 cm	19,5 cm	PR-009
20 cm	100 cm	24,5 cm	PR-010
25 cm	100 cm	20 cm	PR-011
30 cm	100 cm	8 cm	PR-012
30 cm	100 cm	15 cm	PR-013
30 cm	100 cm	20 cm	PR-014
30 cm	100 cm	24,5 cm	PR-015
40 cm	100 cm	20 cm	PR-016
40 cm	100 cm	30 cm	PR-017

Nodular Cast Iron Grates

external
supply
products

Advantages

Ductile cast iron products can carry heavier loads depending on the molecular properties. If there is overhead the products could be bent but not broken. For this advantage the ductile cast iron products are produced half weight according to pig iron products.

Areas of Use

- Outdoors, connections of buildings with gardens,
- They are canal grates developed for use in car park entrances,
- Where different floors meet in sports areas, Industrial kitchens

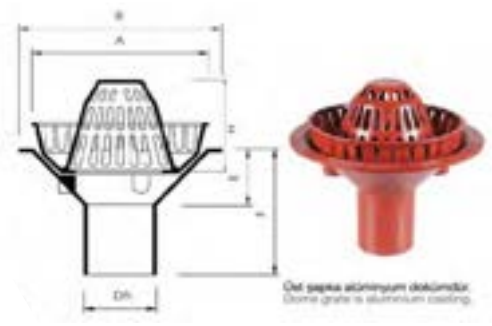


Nodular Cast Iron Grates

Width	Length	Height h	Product Code
12,5 cm	50 cm	2 cm	SD-002
12,5 cm	50 cm	3,5 cm	SD-003
20 cm	50 cm	2 cm	SD-006
20 cm	50 cm	3,5 cm	SD-007
25 cm	50 cm	3,5 cm	SD-008
30 cm	50 cm	3,5 cm	SD-009
35 cm	50 cm	3,5 cm	SD-010
40 cm	50 cm	4,5 cm	SD-011
50 cm	50 cm	4,5 cm	SD-013

Pig Casting Drains

external supply products



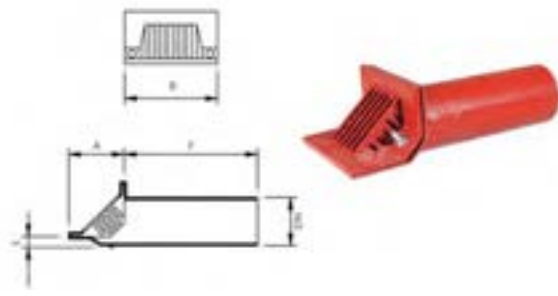
Roof Drain

DN	H	E	F	A	B	KG
Ø50	130	130	195	294	356	11
Ø70	130	120	230	294	356	11
Ø100	130	100	230	294	356	11
Ø125	130	90	230	294	356	11
Ø150	130	80	230	294	356	11



Vertical Falls Drains

DN	E	F	A	B	KG
Ø70	44	124	300	284	9
Ø100	44	124	300	284	9
Ø150	44	124	300	284	9



Parapet Drains

DN	E	F	A	B	KG
Ø70	15	300	130	190	8
Ø100	15	300	130	190	8

Drains in Mud Tray / Mud tray drains for parks, gardens and outdoors.

Advantages

- They are made of polycarbonate and PVC. It have high loadbearing capacity.
- They are resistant to sun rays and acid corrosion.
- Top cover can be easily removed for cleaning.

Areas of Use

- These are drains developed to prevent outdoor systems from mud clogging,
- Outdoors, gardens, balconies and terraces,
 - Garages,
 - Parks and trekking routes,
 - Roads, squares and outdoors with heavy human traffic.

Standard Production Size



Side Outlets

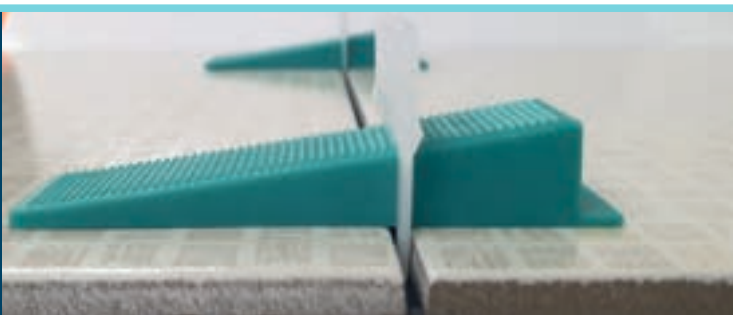
Dimensions	Outlet Diameter	Product Code	Box Quantity
15x15 cm	Ø 50	1051-0435022-10	24
20x20 cm	Ø 70	1051-0447022-10	20
25x25 cm	Ø 100	1051-0451022-10	10

Bottom Outlets

Dimensions	Outlet Diameter	Product Code	Box Quantity
15x15 cm	Ø 50	1051-0435000-10	14
20x20 cm	Ø 70	1051-0447000-10	24
25x25 cm	Ø 70	1051-0457000-10	1
30x30 cm	Ø 70	1051-0467000-10	1
25x25 cm	Ø 100	1051-0451000-10	1
30x30 cm	Ø 100	1051-0461000-10	1

Flatfix

Ceramic Level Detecting Elements



Level Adjustment Pliers

Package Quantity
1



Level Adjustable Joint Separator

mm	Package Quantity
1	100
1,5	100
2	100



Level Adjustment Wedge

Package Quantity
100

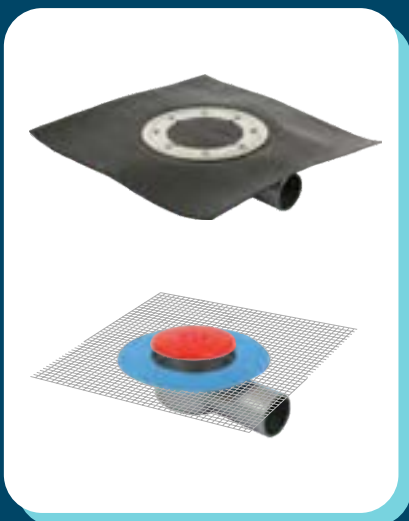


Twister Nut

Package Quantity
100

Twister Screw

mm	Package Quantity
1	100
2	100



Complementary Products

304 Quality Stainless Steel Grates /

Compatible with all Sukar Grates.

All grate models below are made of 304 quality stainless steel material.

* All models in the grates section can be manufactured in decorative colors and desired size.

1 mm Stainless Steel Grates (Size: 10x10 cm) / Box Quantity 10 - 50 - 100



Square Model
2073-0031099-01



Round Covered Model
2073-0179099-01



Line Model
2073-0011099-01



Pebble Model
2073-0411099-01



Sun Model
2073-0061099-01



Square Converved Model
2073-0691099-01



Square Model Grate with Hole
2073-0031099-01



ABS Chrome Coated Framed Grate
2073-0161099-01

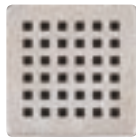
1.2 mm Stainless Steel Grates (Size: 15x15 cm) / Box Quantity 10 - 50 - 100



Rain Model
2073-1471599-01



Sun Model
2073-0061599-01



Square Model
2073-0031599-01



Line Model
2073-0011599-01



Square Converved Model
2073-0691599-01



Square Model Grate with Hole
2073-2361599-01

2 mm Stainless Steel Grates (Size: 15x15 cm) / Box Quantity 10 - 50 - 100



Crystal Model
2073-0211599-01



Wave Model
2073-0221599-01

4 mm Stainless Steel Grates (Size: 15x15 cm) / Box Quantity 10 - 50 - 100



Trump Model
2073-0131599-01



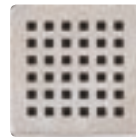
Sun Model
2073-0071599-01



Labyrinth Model
2073-0051599-01



Parallel Model
2073-1331599-01



Square Model
2073-1201599-01



Diagonal Model
2073-0151599-01



Pebble Model
2073-1411599-01

4 mm Stainless Steel Grates (Size: 10x10 cm) / Box Quantity 10 - 50 - 100



Trump Model
2073-0131099-01



Sun Model
2073-0071099-01



Labyrinth Model
2073-0051099-01



Parallel Model
2073-1331099-01



Square Model
2073-1201099-01



Diagonal Model
2073-0151099-01



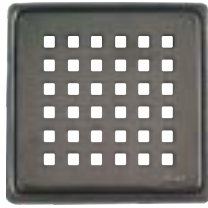
Pebble Model
2073-1411099-01

304 Quality Stainless Steel Grates /

Compatible with all Sukar Grates.

1 mm Decorative Grates (Size: 10x10 cm)

* All decorative grates are sold with their own frame.



Black Square Model
2073-0031099-31



Black Line Model
2073-0011099-31



Bronze Line Model
2073-0011099-51



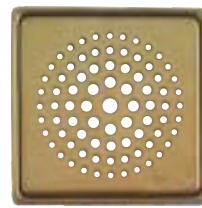
Bronze Square Model
2073-0031099-51



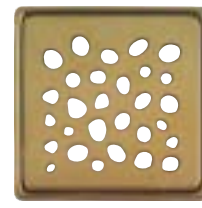
Gold Square Model
2073-0031099-71



Gold Line Model
2073-0011099-71



Gold Sun Model
2073-0061099-71



Gold Pebble Model
2073-0411099-71

Glass Grate (Dimension:10x10)



Glass Grate Red
2073-0291099-41



Glass Grate Mink
2073-0291099-42



Glass Grate Purple
2073-0291099-32



Glass Grate Black
2073-0291099-31



Glass Grate Navy Blue
2073-0291099-91



Glass Grate Blue
2073-0291099-22



Glass Grate Cream
2073-0291099-61



Glass Grate White
2073-0291099-21

Linear Shower Drain Grates / Grate Designs

Standard Production Size

Plain



20 cm	2073-1032099-01
30 cm	2073-1033099-01
40 cm	2073-1034099-01
50 cm	2073-1035099-01
60 cm	2073-1036099-01
65 cm	2073-1036599-01
80 cm	2073-1038099-01

Slot



20 cm	2073-1062099-01
30 cm	2073-1063099-01
40 cm	2073-1064099-01
50 cm	2073-1065099-01
60 cm	2073-1066099-01
65 cm	2073-1066599-01
70 cm	2073-1067099-01
80 cm	2073-1068099-01
90 cm	2073-1069099-01
100 cm	2073-1061099-01

Cube



20 cm	2073-1002099-01
30 cm	2073-1003099-01
40 cm	2073-1004099-01
50 cm	2073-1005099-01
60 cm	2073-1006099-01
65 cm	2073-1006599-01
70 cm	2073-1007099-01
80 cm	2073-1008099-01
90 cm	2073-1009099-01
100 cm	2073-1001099-01

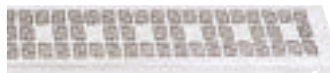
Line 1 Line 2 For Shower Drains

Plain



30 cm	2073-1033088-01
40 cm	2073-1034088-01
50 cm	2073-1035088-01
60 cm	2073-1036088-01
70 cm	2073-1037088-01
80 cm	2073-1038088-01
90 cm	2073-1039088-01
100 cm	2073-1031088-01

Labyrinth



20 cm	2073-0982099-01
30 cm	2073-0983099-01
40 cm	2073-0984099-01
50 cm	2073-0985099-01
60 cm	2073-0986099-01
65 cm	2073-0986599-01
70 cm	2073-0987099-01
80 cm	2073-0988099-01
90 cm	2073-0989099-01
100 cm	2073-0981099-01

Standard



20 cm	2073-1122099-01
30 cm	2073-1123099-01
40 cm	2073-1124099-01
50 cm	2073-1125099-01
60 cm	2073-1126099-01
65 cm	2073-1126599-01
70 cm	2073-1127099-01
80 cm	2073-1128099-01
90 cm	2073-1129099-01
100 cm	2073-1121099-01

Ceramic Compatible Model



Line 2 (Sold with special frame.)

Compatible with Shower Drain:

40 cm	2073-1254088-01
50 cm	2073-1255088-01
60 cm	2073-1256088-01
70 cm	2073-1257088-01
80 cm	2073-1258088-01
90 cm	2073-1259088-01
100 cm	2073-1251088-01

Marble Compatible Model



Line 2 (Sold with special frame.)

Compatible with Shower Drain:

40 cm	2073-1304088-01
50 cm	2073-1305088-01
60 cm	2073-1306088-01
70 cm	2073-1307088-01
80 cm	2073-1308088-01
90 cm	2073-1309088-01
100 cm	2073-1301088-01

Exclusive Linear Shower Drain Grates

Standard Production Size



Daisy

60 cm	2073-0976099-01
80 cm	2073-0978099-01



Wave

60 cm	2073-0966099-01
80 cm	2073-0968099-01



Wind

60 cm	2073-0926099-01
80 cm	2073-0928099-01



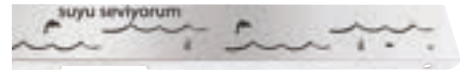
Rose

60 cm	2073-1016099-01
80 cm	2073-1018099-01
100 cm	2073-1011099-01



Horizon

60 cm	2073-1046099-01
80 cm	2073-1048099-01
100 cm	2073-1041099-01



Water

60 cm	2073-1056099-01
80 cm	2073-1058099-01



Sea

60 cm	2073-0936099-01
80 cm	2073-0938099-01



Leaves

60 cm	2073-1026099-01
80 cm	2073-1028099-01



Annular

60 cm	2073-0996099-01
80 cm	2073-0998099-01
100 cm	2073-0991099-01



Road

60 cm	2073-0956099-01
80 cm	2073-0958099-01
100 cm	2073-0951099-01



Drop

60 cm	2073-0946099-01
80 cm	2073-0948099-01
100 cm	2073-0941099-01

Anti - Odors

Standard Production Size



Characteristics	Height	Product Code	Box Quantity
W\wlo water	4 cm	2131-0214099-11	10/60
odormatic	4 cm	2131-0224099-11	10/75
odormatic Ø70	5 cm	2131-0225099-11	10/75

Compatible with Sets:

Line 5	Line 12
Line 10	Line 13
Line 11	Line 14
	Line 15

Modern Anti-Odors



Characteristics	Height	Product Code	Box Quantity
water retainer	2 cm	2131-0204099-11	10/30
water retainer	3 cm	2131-0206099-11	10/40
water retainer	5 cm	2131-0208099-11	10/60

Compatible with Sets:

Line 5	Line 12
Line 10	Line 13
Line 11	Line 14
	Line 15

Height Adjustable Upper Bodies \304 quality stainless steel framed upper bodies



Dimensions	Characteristics	Height	Product Code	Box Quantity
10x10 cm	-	5 cm	2121-0261099-11	10/50
10x10 cm	-	9 cm	2121-0251099-11	10/36
15x15 cm	-	5 cm	2121-0261599-11	10/48
15x15 cm	-	9 cm	2121-2041599-11	8/24
20x20 cm	-	9 cm	2121-2042099-11	10

Compatible with Sets:

Line 10	Line 13
Line 11	Line 14
Line 12	Line 15

Height Adjustable Upper Bodies \Plastic framed upper bodies



Dimensions	Characteristics	Height	Product Code	Box Quantity
10x10 cm	-	5 cm	2121-0241099-11	10/80
10x10 cm	-	9 cm	2121-0231099-11	10/36
10x10 cm	Ø 50 bottom	5 cm	2121-0235599-11	10/80
10x10 cm	Ø 70 bottom	10 cm	2121-0237099-11	10/36
15x15 cm	-	9 cm	2121-0231599-11	8/24

Compatible with Sets:

Line 10	Line 13
Line 11	Line 14
Line 12	Line 15

Upper Bodies with Square Frame



Dimensions	Characteristics	Height	Product Code	Box Quantity
10x10 cm	-	5 cm	2121-0271099-11	35/70
10x10 cm	-	9 cm	2121-1071099-11	10/36

Compatible with Sets:

Line 10	Line 13
Line 11	Line 14
Line 12	Line 15

Complementary Products

Standard Production Size

Upper Bodies with Round Frames



Dimensions	Characteristics	Height	Product Code	Box Quantity
9,5 cm	-	5 cm	2121-0279099-11	10

Compatible with Sets:

Line 10	Line 13
Line 11	Line 14
Line 12	Line 15

Upper Bodies Compatible with Ceramic



Dimensions	Characteristics	Height	Product Code	Box Quantity
10x10 cm	compatible to ceramic	9 cm	2121-0291099-11	12/80
10x10 cm	ceramic can be placed in	9 cm	2121-0281099-11	1
15x15 cm	ceramic can be placed in	9 cm	2121-0281599-11	1
20x20 cm	ceramic can be placed in	9 cm	2121-0282099-11	1

Compatible with Sets:

Line 10	Line 13
Line 11	Line 14
Line 12	Line 15

Short Upper Bodies \304 Quality Stainless Steel Frame Short Bodies



Dimensions	Characteristics	Height	Product Code	Box Quantity
10x10 cm	-	1 cm	2121-1371099-11	10
15x15 cm	-	1 cm	2121-1371599-11	10

Compatible with Sets:

Line 10	Line 13
Line 11	Line 14
Line 12	Line 15

Short Upper Bodies \Plastic Frame Short Upper Bodies



Dimensions	Characteristics	Height	Product Code	Box Quantity
10x10 cm	-	1 cm	2121-1361099-11	10
15x15 cm	-	1 cm	2121-1361599-11	10

Compatible with Sets:

Line 10	Line 13
Line 11	Line 14
Line 12	Line 15

Stainless Steel Drains

Standard Production Size



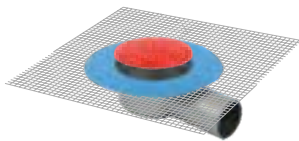
Dimensions	Characteristics	Product Code	Box Quantity
10x10 cm	odomatic	2153-0011099-01	1
15x15 cm	odomatic	2153-0011599-01	1

Compatible with Sets:

Line 9

Self Meshed Bottom Bodies / Self meshed, covered with insulation textile

Side Outlets



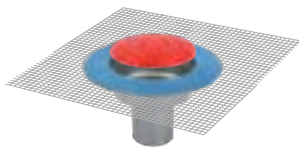
Outlet Diameter	Outlet Direction	Height	Flow Rate	Product Code	Box Quantity
Ø 32	side	5 cm	0,45 lt/sn	1001-2403222-11	10/50
Ø 50	side	5,5 cm	0,81 lt/sn	1001-2405022-11	10/50
Ø 70	side	9,5 cm	1,00 lt/sn	1001-2407022-11	10/27
Ø 100	side	12,5 cm	2,80 lt/sn	1001-2401022-11	10/20

Compatible with Sets:

Line 7-7 D

Line 10

Bottom Outlets



Outlet Diameter	Outlet Direction	Height	Flow Rate	Product Code	Box Quantity
Ø 50	muff	10 cm	1,40 lt/sn	1001-2405000-11	10/45
Ø 70	muff	8 cm	1,60 lt/sn	1001-2407000-11	10/45
Ø 50	pipe	10 cm	3,51 lt/sn	1001-2405011-11	10/30
Ø 70	pipe	8 cm	1,60 lt/sn	1001-2407011-11	10/30
Ø 100	pipe	8 cm	3,51 lt/sn	1001-2401011-11	16

Compatible with Sets:

Line 7-7 D

Line 10

Textile Membrane Bottom Bodies

Side Outlets



Outlet Diameter	Outlet Direction	Height	Flow Rate	Product Code	Box Quantity
Ø 32	side	5 cm	0,45 lt/sn	1001-1183222-11	10/45
Ø 40	side	5,5 cm	0,60 lt/sn	1001-1184022-11	10/45
Ø 50	side	5,5 cm	0,81 lt/sn	1001-1185022-11	10/35
Ø 70	side	9,5 cm	1,00 lt/sn	1001-1187022-11	10/27
Ø 100	side	12,5 cm	2,80 lt/sn	1001-1181022-11	16

Compatible with Sets:

Line 7-7 D

Line 11

Bottom Outlets



Outlet Diameter	Outlet Direction	Height	Flow Rate	Product Code	Box Quantity
Ø 50	muff	10 cm	1,40 lt/sn	1001-1185000-11	10/40
Ø 70	muff	8 cm	1,60 lt/sn	1001-1187000-11	10/35
Ø 50	pipe	10 cm	3,51 lt/sn	1001-1185011-11	10/30
Ø 70	pipe	8 cm	1,60 lt/sn	1001-1187011-11	10/27
Ø 100	pipe	8 cm	3,51 lt/sn	1001-1181011-11	10/20

Compatible with Sets:

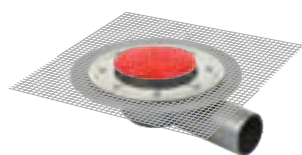
Line 7-7 D

Line 11

Meshed Installation Bottom Bodies

Standard Production Size

Stainless Steel Flanged Side Outlets



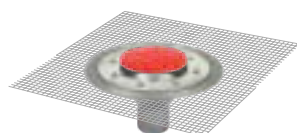
Outlet Diameter	Outlet Direction	Height	Flow Rate	Product Code	Box Quantity
Ø 32	side	5 cm	0,45 lt/sn	1001-0373222-11	10/50
Ø 50	side	5,5 cm	0,81 lt/sn	1001-0375022-11	10/45
Ø 70	side	9,5 cm	1,00 lt/sn	1001-0377022-11	10/27
Ø 100	side	12,5 cm	2,80 lt/sn	1001-0371022-11	16

Compatible with Sets:

Line 7-7 D

Line 13

Stainless Steel Flanged Bottom Outlets



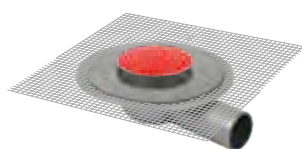
Outlet Diameter	Outlet Direction	Height	Flow Rate	Product Code	Box Quantity
Ø 50	muff	11 cm	1,40 lt/sn	1001-0375000-11	10/45
Ø 70	muff	11 cm	1,60 lt/sn	1001-0377000-11	10/30
Ø 100	muff	11 cm	3,51 lt/sn	1001-0371000-11	10/24
Ø 50	pipe	16 cm	1,40 lt/sn	1001-0375011-11	10/30
Ø 70	pipe	16 cm	1,60 lt/sn	1001-0377011-11	10/27
Ø 100	pipe	16 cm	3,51 lt/sn	1001-0371011-11	10/20

Compatible with Sets:

Line 7-7 D

Line 13

Plastic Flanged Side Outlets



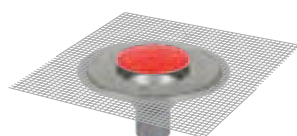
Outlet Diameter	Outlet Direction	Height	Flow Rate	Product Code	Box Quantity
Ø 32	side	5 cm	0,45 lt/sn	1001-1343222-11	10/50
Ø 50	side	5,5 cm	0,81 lt/sn	1001-1345022-11	10/45
Ø 70	side	9,5 cm	1,00 lt/sn	1001-1347022-11	10/27
Ø 100	side	12,5 cm	2,80 lt/sn	1001-1341022-11	16

Compatible with Sets:

Line 7-7 D

Line

Plastic Flanged Bottom Outlets



Outlet Diameter	Outlet Direction	Height	Flow Rate	Product Code	Box Quantity
Ø 50	muff	11 cm	1,40 lt/sn	1001-1345000-11	10/40
Ø 70	muff	11 cm	1,60 lt/sn	1001-1347000-11	10/30
Ø 100	muff	11 cm	3,51 lt/sn	1001-1341000-11	10/24
Ø 50	pipe	16 cm	1,40 lt/sn	1001-1345011-11	10/30
Ø 70	pipe	16 cm	1,60 lt/sn	1001-1347011-11	10/27
Ø 100	pipe	16 cm	3,51 lt/sn	1001-1341011-11	10/20

Compatible with Sets:

Line 7-7 D

Line

Bottom Bodies and Flange Rings Suitable for All Kinds of Insulation

Standard Production Size



Side Outlets

Outlet Diameter	Outlet Direction	Height	Flow Rate	Product Code	Box Quantity
Ø 32	side	5 cm	0,45 lt/sn	1001-0303222-11	10/45
Ø 50	side	5,5 cm	0,81 lt/sn	1001-0305022-11	10/35
Ø 70	side	9 cm	1,00 lt/sn	1001-0307022-11	10/27
Ø 100	side	12,5 cm	2,80 lt/sn	1001-0301022-11	16

Compatible with Sets:

Line 7-7 D

Line 13

Line 14

Line 15

Bottom Outlets

Outlet Diameter	Outlet Direction	Height	Flow Rate	Product Code	Box Quantity
Ø 50	muff	11 cm	1,40 lt/sn	1001-0305000-11	10/40
Ø 70	muff	11 cm	1,60 lt/sn	1001-0307000-11	10/35
Ø 100	muff	11 cm	3,51 lt/sn	1001-0301000-11	10/35
Ø 50	pipe	16 cm	1,40 lt/sn	1001-0305011-11	10/30
Ø 70	pipe	16 cm	1,60 lt/sn	1001-0307011-11	10/30
Ø 100	pipe	16 cm	3,51 lt/sn	1001-0301011-11	10/25

Compatible with Sets:

Line 7-7 D

Line 13

Line 14

Line 15



Flange Rings

Diameter	Characteristic	Product Code	Box Quantity
Ø 100	Stainless Steel (oring+screw)	2143-0761099-01	10/50
Ø 100	Plastic (oring+screw)	2143-0761099-11	10/50

Compatible with Sets:

Line 7-7 D

Line 13

Line 14



Bitumen Membrane Installed Bottom Bodies

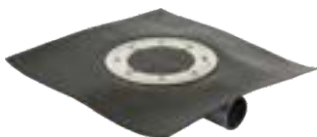
Side Outlets

Outlet Diameter	Outlet Direction	Height	Flow Rate	Product Code	Box Quantity
Ø 50	side	5 cm	0,81 lt/sn	1011-0415022-11	10/35
Ø 70	side	9 cm	1,00 lt/sn	1011-0417022-11	10/27
Ø 100	side	12,5 cm	2,80 lt/sn	1011-0411022-11	16

Compatible with Sets:

Line 7-7 D

Line 14



Bottom Outlets

Outlet Diameter	Outlet Direction	Height	Flow Rate	Product Code	Box Quantity
Ø 50	muff	11 cm	1,40 lt/sn	1011-0415000-11	10/40
Ø 70	muff	11 cm	1,60 lt/sn	1011-0417000-11	10/35
Ø 100	muff	11 cm	3,51 lt/sn	1011-0411000-11	10/20
Ø 50	pipe	16 cm	1,40 lt/sn	1011-0415011-11	10/30
Ø 70	pipe	16 cm	1,60 lt/sn	1011-0417011-11	10/24
Ø 100	pipe	16 cm	3,51 lt/sn	1011-0411011-11	10/24

Compatible with Sets:

Line 7-7 D

Line 14



Bottom Bodies Without Insulation Skirt

Side Outlets



Outlet Diameter	Outlet Direction	Height	Flow Rate	Product Code	Box Quantity
Ø 32	side	5,5 cm	0,45 lt/sn	1001-0313222-11	10/40
Ø 50	side	5,5 cm	0,81 lt/sn	1001-0315022-11	10/40
Ø 70	side	8,4 cm	1,00 lt/sn	1001-0317022-11	10/40
Ø 100	side	11,4 cm	2,80 lt/sn	1001-0311022-11	10/24

Compatible with Sets:

Line 15

Bottom Outlets



Outlet Diameter	Outlet Direction	Height	Flow Rate	Product Code	Box Quantity
Ø 50	muff	11 cm	1,40 lt/sn	1001-0315000-11	10/24
Ø 70	muff	11 cm	1,60 lt/sn	1001-0317000-11	10/70
Ø 100	muff	11 cm	3,51 lt/sn	1001-0311000-11	10/50
Ø 50	pipe	16 cm	1,35 lt/sn	1001-0315011-11	10/24
Ø 70	pipe	16 cm	1,50 lt/sn	1001-0317011-11	10/70
Ø 100	pipe	16 cm	3,40 lt/sn	1001-0311011-11	10/50

Compatible with Sets:

Line 15

3 Inlets, Single Outlet



Outlet Diameter	Outlet Direction	Height	Flow Rate	Product Code	Box Quantity
Ø 70	side	Ø 50 x 3ad.	8,5 cm	1001-0317522-11	12/60

Laminated Sealed ABS Bottom Bodies

Standard Production Size



Side Outlets

Outlet Diameter	Outlet Direction	Characteristic	Height	Product Code	Box Quantity
Ø 40	side	tight cover	4,7 cm	1001-2654023-11	1
Ø 40	side	wide cover	4,7cm	1001-2634023-11	1
Ø 50	side	tight cover	5,5 cm	1001-2655023-11	1
Ø 50	side	wide cover	5,5 cm	1001-2645023-11	1
Ø 50	side	tight cover	8,5 cm	1001-2655023-11	1
Ø 70	side	tight cover	8,6 cm	1001-2657023-11	1



Compatible with Sets:

<i>Line 1</i>	<i>Line 4</i>
<i>Line 2</i>	<i>Line 5</i>
<i>Line 3</i>	<i>Line 6</i>
	<i>Line 9</i>



Bottom Outlets

Outlet Diameter	Outlet Direction	Characteristic	Height	Product Code	Box Quantity
Ø 50	bottom	tight cover	9,7 cm	1001-2655000-11	1
Ø 50	bottom	wide cover	9,7 cm	1001-2635000-11	1
Ø 50	bottom	tight cover	12,8 cm	1001-2655000-11	1
Ø 70	bottom	tight cover	9,7 cm	1001-2657000-11	1

Compatible with Sets:

<i>Line 1</i>	<i>Line 4</i>
<i>Line 2</i>	<i>Line 5</i>
<i>Line 3</i>	<i>Line 6</i>
	<i>Line 9</i>

Laminated Sealed ABS Bottom Bodies

Standard Production Size

Laminated Sealed ABS Bottom Bodies with Water Tank



Outlet Diameter	Outlet Direction	Characteristic	Height	Product Code	Box Quantity
Ø 40	side	-	4,7 cm	1001-2644023-11	1
Ø 40	side	-	4,7 cm	1001-2664023-11	1
Ø 50	side	-	5,5 cm	1001-2645023-11	1
Ø 50	side	-	5,5 cm	1001-2665023-11	1

Compatible with Sets:

Line 6

Line 9

Pipe Protection Cap



Outlet Diameter	Characteristic	Height	Product Code	Box Quantity
Ø50-75-110	-	2 cm	1081-2261199-91	100

Bitumen Water Insulation Accessories Roof

Terrace drains and ventilation shafts.

Advantages

- **EPDM steep descents and parapets;** It provides absolute impermeability between membrane covers and rain downspouts.
- Made of thermoplastic rubber resistant to ultraviolet rays, all atmospheric and chemical effects.

- **Ventilation shafts;** used in terrace, roof exits of ventilation shafts used for discharging steam from the building or vents with $\varnothing 10$ cm or less diameter.
- Thermoplastic structure ensures impermeability.
- It is recommended to use one ventilation shaft for each 50 m².
- UV Resistant.
- Installed to the highest point of the slope of the each roof.

Standard Production Size

Areas of Use

- Roofs,
- All areas where membrane insulation will be applied.



EPDM Vertical Falls

Dimensions	Characteristic	Product Code	Box Quantity
Ø 50	Bottom outlet - EPDM	1035-0325000-31	45
Ø 70	Bottom outlet - EPDM	1035-0327000-31	60
Ø 100	Bottom outlet - EPDM	1035-0321000-31	30
Ø 125	Bottom outlet - EPDM	1035-0321200-31	30



EPDM Parapets

Dimensions	Characteristic	Product Code	Box Quantity
Ø 50	parapet - EPDM	1035-0335022-31	25
Ø 70	parapet - EPDM	1035-0337022-31	20
Ø 100	parapet - EPDM	1035-0331022-31	10



EPDM Ventilation Shafts

Dimensions	Product Code	Box Quantity
EPMD - Ø 70 ventilation shafts-h=270mm	1025-0342700-31	36
EPMD - Ø 70 ventilation shafts-h=390mm	1025-0343900-31	24



Shingle Ventilation Shafts

Dimensions	Product Code	Box Quantity
black shingle ventilation shaft with side windows	1021-0356099-31	22
red shingle ventilation shaft with side windows	1021-0356099-41	22
green shingle ventilation shaft with side windows	1021-0356099-51	22



Shingle Ventilation Shafts With Caps

Dimensions	Product Code	Box Quantity
black shingle ventilation shaft with side windows	1021-0361299-31	15
red shingle ventilation shaft with side windows	1021-0361299-41	15
shingle ventilation shaft with side windows	1021-0361299-51	15

Corner Balcony Drains

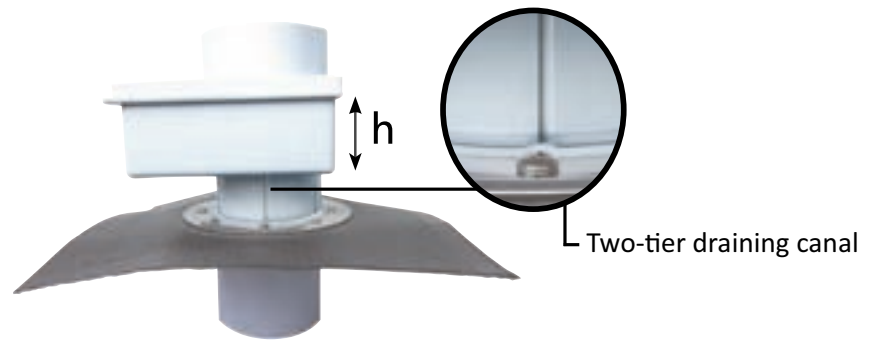


Advantages

- With 4 cm height it is the thinnest corner balcony drain of Turkey.
- Canals in its body provides two-tier draining.
- Compliant with insulated bottom bodies.
- Easily removed top grate makes it easy to clean.
- UV resistant.

Areas of Use

- Used in balconies and terraces.



Standard Production Size



Corner Balcony Drain

Dimensions	Height	Product Code	Box Quantity
Ø 100 bottom outlet	4 cm	1091-0731000-11	24

Complementary Products

Standard Production Size

Only at
Sukar



Rain Water Hopper

Dimensions	Product Code	Box Quantity
Ø 70 bottom outlet	2171-0797000-11	16
Ø 100 bottom outlet	2171-0791000-11	16



Octopus Leaf Holder

Dimensions	Product Code	Box Quantity
Ø 70 - 100 octopus leaf holder	2111-0747099-31	50
Ø 125 - 150 octopus leaf holder	2111-0741299-31	50



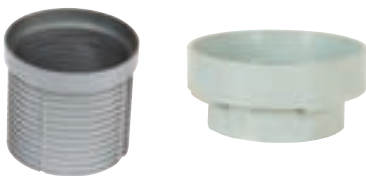
Flange Compatible Leaf Holder

Dimensions	Product Code	Box Quantity
Ø 100 flange compatible leaf holder	2111-0751099-31	50



Flange Ring

Dimensions	Product Code	Box Quantity
Ø 100 stainless flange ring (oring+screw)	2143-0761099-01	50
Plastic flange ring (oring+screw)	2143-0761099-01	50



Extension Apparatus and Connection Parts

Dimensions	Product Code	Box Quantity
Ø 70 bottom outlet connection part	2161-0777000-11	100
Ø 100 bottom outlet connection part	2161-0771000-11	100
Ø 100 extensions apparatus	2161-0771099-11	40

ADD COLOR TO YOUR BATHROOM



**Decorative Drains
With Colorful Glass Grates**

**Please Check Page 51 For More Details*



Textile Water Insulation Membrane and Complementary Products

Easy Application

- When applied a single layer the product provides 1/1 time and labor savings.
- Requires no additional labor. Adhered to surface with ceramic glue.
- Does not require protective concrete. It is applied simultaneously with ceramic coating.
- Provides problem free solutions to details such as baseboards, drain sides and under pipes.
- Joints are adhered with PU (polyurethane) glue and thus require no equipment.
- Its flexibility enables it to take the form of the surface it is applied to.

Advantages

- Easy application.
- Laid freely over OSB and fixed with shingle nail in joints.
- Joints are adhered with PU (polyurethane) sealant.
- Provides excellent vapor barrier and water insulation. Provides seamless solution in chimney flashings.
- It has a long life thanks to its resistance to chemicals. It doesn't have longitudinal joints as it is 50 m long.
- Does not incur fire hazard since fire, hot air or solvent is not used in application.
- Environment friendly as it produces no chemical waste.



Textile Insulation Membrane (Polyethylene)

Dimensions	Width	Thickness	Product Code
30-50 m	1,05 m	0,4 mm	1267-1410099-91



Thermoplastic Elastomeric Membrane

Dimensions	Width	Thickness	Product Code
30-50 m	1,05 m	0,4 mm	1267-1420099-11



Pipe Cuff

Dimensions	Product Code
120x120mm	1267-1430099-13



Inner and Outer Corner

Type	Characteristics	Product Code
Inner Corner	Sold in 5 pcs package	1267-1420099-12
Outer Corner	Sold in 5 pcs package	1267-1420099-13



Side Tape

Length	Width	Product Code
50 mm	12 cm	1267-1440099-14



Butly Tape

Width	Length	Product Code
8 cm	25 m	1267-2420099-11
10 cm	25 m	1267-2420010-11
15 cm	25 m	1267-2420089-11

Manholes And Manhole Covers

Advantages

- Manholes act as T junctions for pipes and are used in adjoining more than one arm and as a cleaning shaft.
- It is manhole's job to keep the slope normal, where the difference between exit and destination points of waste water is too high.
- Manholes have to be cleaned regularly for fully function.

Areas of Use

- Parks and trekking routes,
- Roads, squares and outdoors with heavy human traffic.



Standard Production Size

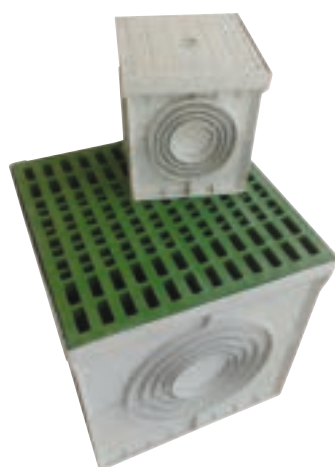


Manholes Empty Box

Dimensions	Characteristics	Product Code	Box Quantity
20x20x20 cm	Empty box without manhole cover	1101-0572033-18	1
30x30x30 cm	Empty box without manhole cover	1101-0573033-18	1
40x40x40 cm	Empty box without manhole cover	1101-0574033-18	1
55x55x55 cm	Empty box without manhole cover	1101-0575533-18	1

Manholes Closed Box

Dimensions	Characteristics	Product Code	Box Quantity
20x20 cm	manhole green grate cover	1081-0562099-58	1
30x30 cm	manhole green grate cover	1081-0563099-58	1
40x40 cm	manhole green grate cover	1081-0564099-58	1
55x55 cm	manhole green grate cover	1081-0565599-58	1
20x20 cm	manhole green grate cover	1081-0562099-18	1
30x30 cm	manhole green grate cover	1081-0563099-18	1
40x40 cm	manhole green grate cover	1081-0564099-18	1
55x55 cm	manhole green grate cover	1081-0565599-18	1



Manholes Grate Cover

Dimensions	Characteristics	Product Code	Box Quantity
20x20 cm	manhole green closed cover	1071-0552099-58	1
30x30 cm	manhole green closed cover	1071-0553099-58	1
40x40 cm	manhole green closed cover	1071-0554099-58	1
55x55 cm	manhole green closed cover	1071-0555599-58	1
20x20 cm	manhole grate cover	1071-0552099-18	1
30x30 cm	manhole grate cover	1071-0553099-18	1
40x40 cm	manhole grate cover	1071-0554099-18	1
55x55 cm	manhole grate cover	1071-0555599-18	1

Production Area



 Sukar



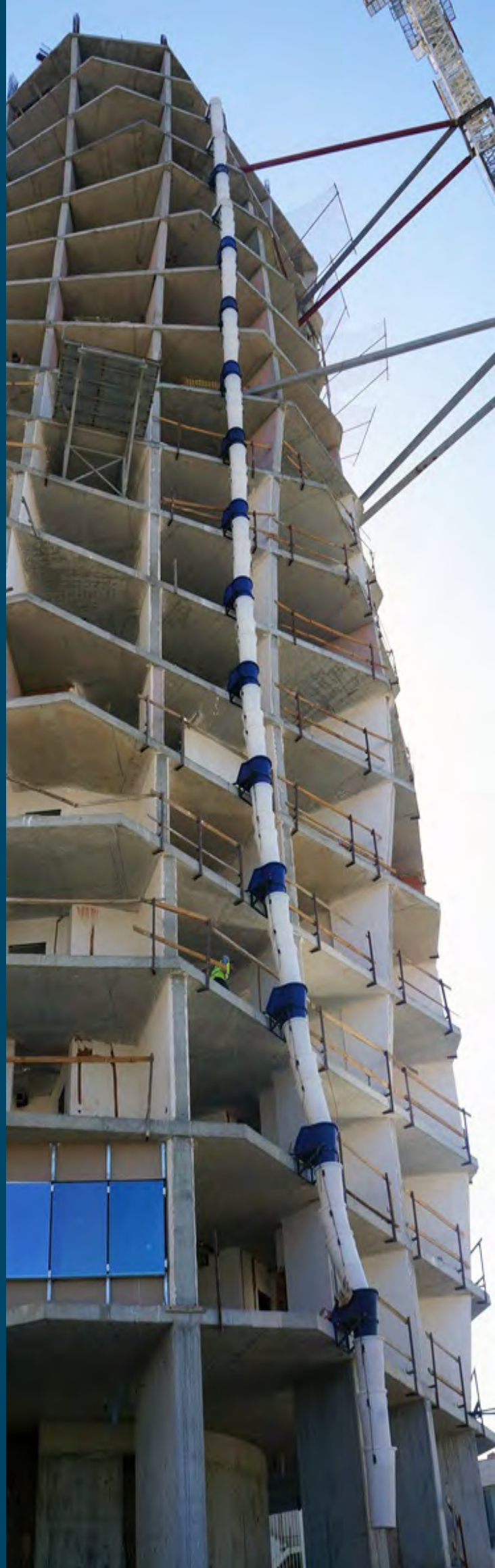
Why Molozkule?

Molozkule polyethylene rubble disposal towers provide supplier and contractor companies with a clean and safe solution for cleaning debris and rubble. These towers are durable and very easy to install and maintain.

Installation and Connection

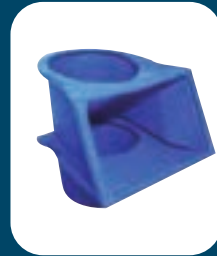
Its cylindrical tubes can be connected by means of internal connection elements. You can create rubble disposal towers which serve each floor individually owing to Molozkule's floor-specific intake hopper. MOLOZKULE debris disposal systems,

- Are suitable for outdoor use owing to their UV added LLDPE Polyethylene structure.
- Maintain their impact durability between -40 C and 90 C
- Have high impact durability thanks to their 5 mm-thick flexible structure.
- Only become fragile at temperatures below -60 C.
- Consist of 55 cm diameter and 110- cm-long midsections and floor specific intake hopper.
- Can be used smoothly at tall buildings because they are installed in a way that each floor is able to carry its own weight (approx. 40 kg).
- Efficiently accumulate debris piled up on each floor in a container situated on the ground.
- Are easily installed and used.
- Can be used more than once, and cover their own expenses in only three usages.
- With a second Molozkule set up in the same construction site, recyclable material can be accumulated in another container.





LLDPE Polyethylene midsection is 55 cm in diameter, 110 cm in height and 5mm in thickness. It consists of two 90-cm-long DIN 763 chains.



LLDPE Polyethylene intake hopper is 55 cm in diameter, 55cm in height and 5mm in thickness. It consists of two 45-cmlong DIN 763 chains.



Intake hopper Construction kit.



Chimney Connection Chain



PROPERTIES	TEST METHOD	VALUE	UNIT
Akma Gerilim Dayanımı	ASTM D 638 @ Crosshead Speed 50/min	200(20)	kg/cm2(MPa)
Kopma Gerilim	ASTM D 638 @ Crosshead Speed 50/min	250(25)	kg/cm2(MPa)
Dayanımı	ASTM D 638 @ Crosshead Speed 50/min	>1000	%
Uzamada Kopma	ASTM D 638 @ Crosshead Speed 50/min	6500(650)	kg/cm2(MPa)
Elastikiyet Modülü	ASTM D 2240	55	Shore D
Sertlik	ARM Method (5mm rotomolded sample)	23(85)	J/mm(lb-ft)
ARM Darbe			
Mukavemeti -40C	ASTM D 746	<-60(140)	°C
Kirilgan Sıcaklığı	kLy	500	
UV Rezistans			

Stands

60cm Stand with Product



90cm Stand with Product



Wall Stand



Vehicles



Quality Certificates



Quality Certificates



RAF

**The Best Building Material
2011**
(Walk-In Shower Systems)



YEM

**Construction Material Award
2011**
(Walk-In Shower Systems)



RAF

**The Best Building Material
2010**
(With – Without Anti-Odor)

References

BRAND İSTANBUL PARK



5. LEVENT



COLLET AVCILAR



GÜMÜŞ PANAROMA İSTANBUL



SKYLAND İSTANBUL



AZUR MARMARA



GOP PLEVNE



JUMEIRAH SEA PEARL ATAKOY



References

LOCA MAHAL



METROKA- MARS 19



NEF IN ISTANBUL



SEA PERL



TUAL ADALAR



VIAFORT VENEZIA



AFRAZE KARTAL



AKASYA AVM & REZİDANS



References

BONNEVİLLA



DAP VALİDEBAĞ KONAKLARI



ELYA CENTER



ATAŞEHİR- MODERN



İNCEK PRESTİJ



FORTİS - SİNANLI



FORUM ANATOLIA



SWANDOR HOTELS RESORTS



References

ELMAR TOWER



SHERATON ÇEŞME



SUNİS KUMKÖY BEACH RESORT HOTEL & SPA



NİVO ATAKÖY



SEYİRTEPE KONAKLARI



NEF ÇEKMEKÖY



NEVBAHAR



İSTİNYE PARK AVM



References

MERSİN ŞEHİR HASTANESİ



GAZİANTEP ŞEHİR HASTANESİ



KOCAELİ ŞEHİR HASTANESİ



İZMİR BAYRAKLI ŞEHİR HASTANESİ



ESKİŞEHİR ŞEHİR HASTANESİ



İSTANBUL İKİTELLİ ŞEHİR HASTANESİ

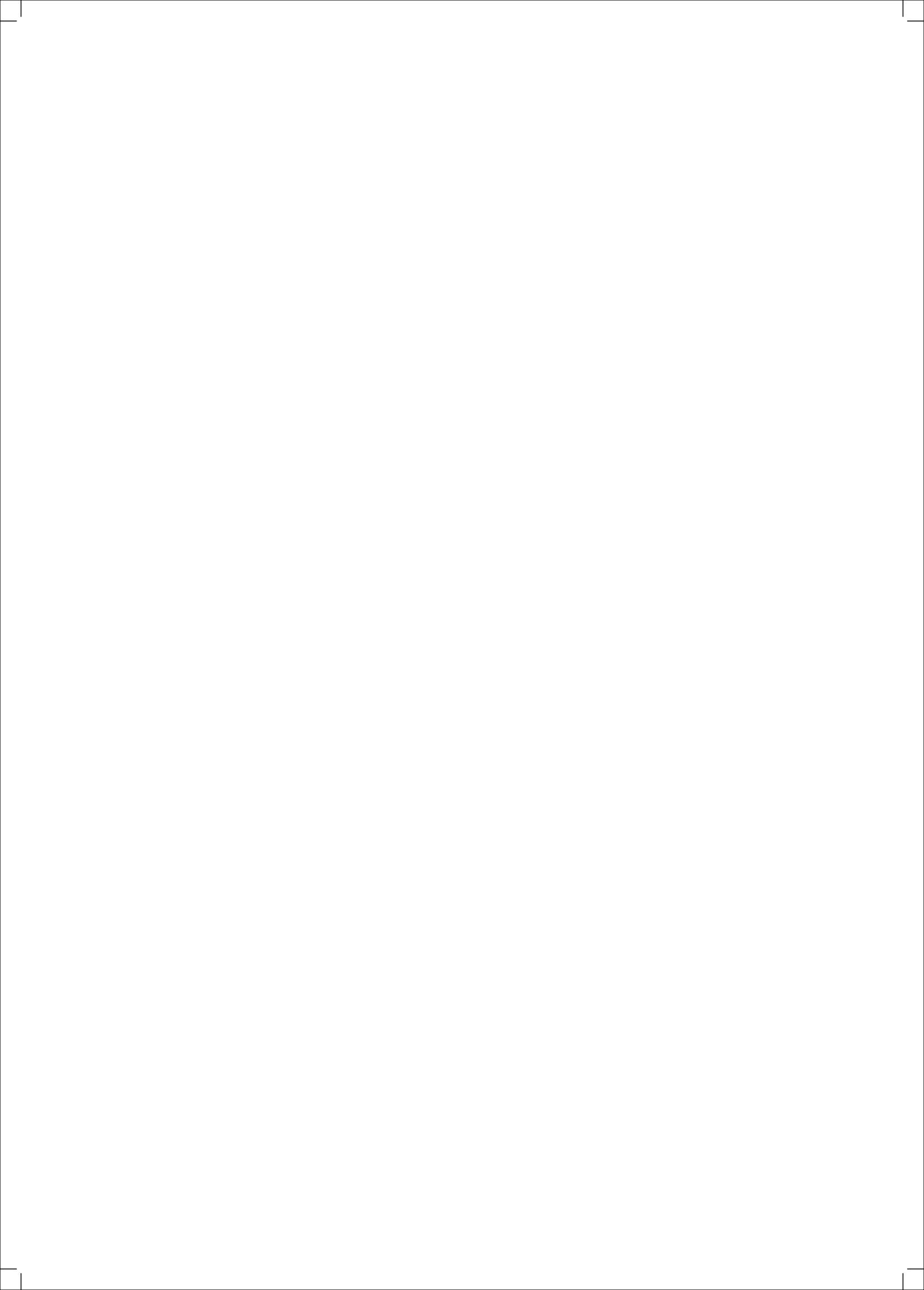


ANKARA ETLİK ŞEHİR HASTANESİ



ADANA ŞEHİR HASTANESİ





Aesthetic,
Quality,
Comfortable,
Wide range of Product,
High Customer Satisfaction,
Full product range that exactly,
Respond to the needs, developed
by R & D works.



SUKAR YALITIM VE İNŞAAT MALZEMELERİ
ÜRETİM PAZARLAMA SAN. TİC. LTD. ŞTİ
İnönü Mh. İnönü Cd. Boran Sk. No:2/A
Sancaktepe - İstanbul 34785 Türkiye
Tel: +90 (216) 317 86 86 - Faks: +90 (216) 317 60 32
satis@sukar.com.tr

Factory
Cumhuriyet Mh. Çanakkale Asfaltı Cd.
No:47/A Menemen / İzmir / Turkey

e-catalog



www.sukar.com.tr

 [sukardrain](https://www.instagram.com/sukardrain)